



## PRODUCT INDEX

|  | Series  | Page          |            | Series  | Page  |                            | Series  | Page   |                          |
|--|---|---------------|------------|---|---|----------------------------|---|--|--------------------------|
|    | Compact Spring Rewind Cable Reels             | <b>RC</b>     | <b>752</b> |    | C Dual Spring Rewind Hose Reels                     | <b>758</b>                 |  | Hose Reel Accessories Roller Guides                | <b>769</b>               |
|    | Compact Spring Rewind Hose Reels              | <b>RA</b>     | <b>752</b> |    | SP High Capacity Spring Rewind Hose Reels           | <b>758</b>                 |  | Hose Reel Accessories Connecting Hoses             | <b>769</b>               |
|    | Compact Spring Rewind Hose Reels              | <b>GA400</b>  | <b>753</b> |    | SHW Spring Rewind Welding Reels                     | <b>759</b>                 |  | Hose Reel Accessories Swivel Assemblies            | <b>769</b>               |
|    | E-Zy Reel                                     | <b>C901</b>   | <b>753</b> |    | DP Dual Spring Rewind Hose Reels                    | <b>759</b>                 |  | Hose Reel Accessories Additional/Optional Brackets | <b>769</b>               |
|    | E-Zy Reel                                     | <b>C420</b>   | <b>753</b> |    | Competitor Hand Cranked and Power Rewind Hose Reels | <b>1125 760</b>            |  | Tecreels   | <b>375 770</b>           |
|    | E-Zy Reel                                     | <b>C460</b>   | <b>753</b> |    | Competitor Hand Cranked and Power Rewind Hose Reels | <b>1175 761</b>            |  | Tecreels   | <b>4 Port 771</b>        |
|    | E-Zy Reel                                     | <b>C808</b>   | <b>754</b> |    | Competitor Hand Cranked and Power Rewind Hose Reels | <b>1185 &amp; 1195 762</b> |  | Tecreels   | <b>Multifunction 772</b> |
|    | E-Zy Reel                                     | <b>C809</b>   | <b>754</b> |    | PR Series Portable Hose Reels                       | <b>PRL 763</b>             |  | Swivels  | <b>2 Port 772</b>        |
|    | E-Zy Reel                                     | <b>SS.808</b> | <b>754</b> |    | Challenger High Pressure Hand Cranked Hose Reels    | <b>112L 763</b>            |  | Swivels  | <b>4 Port 772</b>        |
|   | E-Zy Reel                                     | <b>SS.809</b> | <b>754</b> |   | EN Enclosed Heavy Duty Spring Rewind Reels          | <b>764</b>                 |   |  |                          |
|  | Retracta Spring Rewind Reels                  |               | <b>755</b> |  | Dolly and Caddy Portable Hose Reels                 | <b>DM/CM 765</b>           |   |  |                          |
|  | Stainless Steel Spring Rewind Reels           |               | <b>756</b> |  | SD Static Discharge Spring Rewind Cable Reels       | <b>SD 766</b>              |   |  |                          |
|  | Stainless Steel Manual Rewind Reels           |               | <b>756</b> |  | EZ-Coil Safety Series                               | <b>EZ 767-768</b>          |   |  |                          |
|  | P-LP/SH Heavy Duty Spring Rewind Reels        |               | <b>757</b> |  | Hose Reel Accessories Swivel Assemblies             | <b>769</b>                 |   |  |                          |
|  | P-MP/MP/P-P/HP Heavy Duty Spring Rewind Reels |               | <b>757</b> |  | Hose Reel Accessories Mounting Brackets             | <b>769</b>                 |   |  |                          |

Pirtek offers a comprehensive range of hose and cable reels, which have been developed to satisfy the needs of the most demanding and diverse requirements of industry today. Compact Hose Reels from Mavel - light duty spring rewind reels for air and ideally suited to the smaller workshop. Retracta Hose Reels from Macnaught - low cost, high specification utility spring rewind reels for all popular applications, indoors and out. Heavy Duty Hose Reels from Coxreels - in powder coated steel or stainless steel, spring rewind, hand crank and power rewind options, these are the reels to specify for the most demanding applications.

Over 90 Pirtek Centres covering the whole of the UK and Ireland, manned by highly trained staff and stocking an impressive range of hose and cable reels ensure that Pirtek has everything it takes to keep industry moving.

### SALES & TECHNICAL SUPPORT

Pirtek technical support staff are there to help with any aspect of hose reel enquiry. Highly qualified technicians are able to advise on the best reel and hose combination for each particular application. Special purpose and custom built models are available for most applications. A quick call to Pirtek on 0800 38 24 38 is all that is needed.

## Compact Spring Rewind Cable Reels (12/24/240 Volt)



### RC Range

Compact cable reels combine convenient storage of 2 and 3 core electrical cable with fast payout and automatic spring rewind. Available up to 240 volt. These reels are suitable for use with power tools, low voltage inspection lamps and other electrical appliances. Constructed in high-impact poly-propylene for maximum durability each reel is supplied with fitted cable and an integral wall mounting bracket. The optional RB bracket adaptor allows these reels to be ceiling mounted where required.

#### FEATURES

- Compact, lightweight design
- Supplied with fitted cable
- Fitted inlet cable for connection to supply
- Integral wall mounting swivel bracket
- Optional RB adaptor for ceiling mount
- Latching of cable at any length or free-run option
- Fully automatic spring rewind
- Low effort easy-to-use rewind tension
- Virtually maintenance free

| Part Number   | Reel Dimensions |      |      | Approx Weight with Cable | Cable Length | Cable Cores              | Max Voltage | Max Amperage                               | Reel Colour |
|---------------|-----------------|------|------|--------------------------|--------------|--------------------------|-------------|--|-------------|
|               | Wide            | High | Deep |                          |              |                          |             |  |             |
| <b>RC25</b>   | 5¼"             | 7"   | 8¾"  | 2.2 kg                   | 5 + 1 m      | 3 x 1.5 mm <sup>2</sup>  | 240v        | All Cable in 3 amp<br>All Cable out 10 amp | White and   |
| <b>RC50</b>   | 5¼"             | 7"   | 8¾"  | 2.2 kg                   | 7 + 1 m      | 2 x 1 mm <sup>2</sup>    | 240v        |  | Black       |
| <b>RC100</b>  | 5¼"             | 11"  | 10¾" | 5 kg                     | 30'          | 3 x 1.5 mm <sup>2</sup>  | 240v        | All Cable in 3 amp<br>All Cable out 10 amp | Green       |
| <b>RC150</b>  | 5¼"             | 11"  | 10¾" | 5 kg                     | 50'          | 2 x 1.00 mm <sup>2</sup> | 240v        |  | and         |
| <b>RC2500</b> | 7"              | 15"  | 17"  | 7.5 kg                   | 82'          | 3 x 1.00 mm <sup>2</sup> | 240v        |  | Black       |

## Compact Spring Rewind Reels Compressed Air (max 150 psi)

### RA50 Mini compact

This reel is small and compact and an excellent choice for the small workshop or production line. Features include a tough polypropylene construction. 6m of ¼" internal bore hose (5m on the reel 1m outside), a maximum working pressure of 150psi (10 bar). Overall weight including bracket and hose kit 1.2kg (2.6lbs)



RA25/RA50

### RA250 & RA300

Compact spring rewind hose reels are designed for use with compressed air only (excluding the GA400). Their small size makes them ideal for the smaller workshop where space is a major factor. Constructed in high impact polypropylene for maximum durability, each reel comes supplied with fitted hose and integral wall/overhead mounting bracket. The switchable locking facility offers latching of hose or convenience of free run.



RA100



RA200



RA250 & RA300

## Compact Spring Rewind Reels Compressed Air (max 150 psi) - continued

### GA400 Domestic Water Reel

Constructed in high impact polypropylene and supplied with 20m (66') of garden hose, and wall bracket. Standard garden fittings are also supplied along with fitted nozzle. The GA400 comes with a self-layering feature, which allows the hose to be fed back on the reel neatly and trouble free.

#### FEATURES

- Compact, lightweight design RA100 & 200 3.8kg, RA250 & 300 6.5kg, RA50 1.5kg
- Fitted with hose for immediate installation
- Integral pivoting wall/overhead bracket
- Latching or free run of hose
- Fully automatic hose rewind for neat and tidy storage
- Low effort easy-to-use rewind tension
- Virtually maintenance free
- Fully warranted for 12 months



GA400

| Part Number  | Reel Dimensions |      |      | Approx Weight with Cable | Application | Hose Length | Hose Size (I.D.) | Hose Type      | Working Pressure | Inlet Size | Hose Outlet | Reel Colour |
|--------------|-----------------|------|------|--------------------------|-------------|-------------|------------------|----------------|------------------|------------|-------------|-------------|
|              | Wide            | High | Deep |                          |             |             |                  |                |                  |            |             |             |
| <b>RA50</b>  | 5¼"             | 7"   | 8¾"  | 1.5 kg/3.3 lbs           | Air         | 20' (6 m)   | ¼" (6 mm)        | Polyurethane   | 150psi (10 bar)  | ¼" BSPF    | ¼" BSPM     | Grey/Black  |
| <b>RA100</b> | 5¼"             | 11"  | 10¾" | 3.8 kg/8.36 lbs          | Air         | 40' (12 m)  | ¼" (6 mm)        | Polyurethane   | 150psi (10 bar)  | ¼" BSPF    | ¼" BSPM     | Green/Black |
| <b>RA200</b> | 5¼"             | 11"  | 10¾" | 3.8 kg/8.36 lbs          | Air         | 25' (8 m)   | 5⁄16" (8 mm)     | Reinforced PVC | 150psi (10 bar)  | ¼" BSPF    | ¼" BSPM     | Green/Black |
| <b>RA250</b> | 7"              | 15"  | 17"  | 6.5 kg/14.3 lbs          | Air         | 50' (15 m)  | 5⁄16" (8 mm)     | Reinforced PVC | 150psi (10 bar)  | ¼" BSPF    | ¼" BSPM     | Green/Black |
| <b>RA300</b> | 7"              | 15"  | 17"  | 6.5 kg/14.3 lbs          | Air         | 30' (10 m)  | 3⁄8" (10 mm)     | Reinforced PVC | 150psi (10 bar)  | 3⁄8" BSPF  | 3⁄8" BSPM   | Green/Black |
| <b>GA400</b> | 12"             | 18½" | 21¼" | 10.5 kg/23 lbs           | Water       | 66' (20 m)  | ½" (13 mm)       | PVC            | 100psi (7 bar)   | Connector  | Nozzle      | Green/Black |

## E-Zy Reel - Hand Crank Hose Reels (901, 420 and 460 Series)

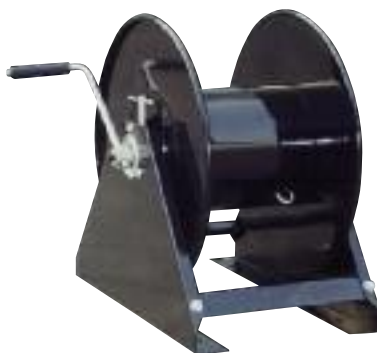
### 901 Series



#### FEATURES

- Heavy-duty frame structure
- Corrosion resistant powder coating
- Solid 8" rubber tyres
- Adjustable drag brake, solid brass swivel
- Rubber feet prevent reel from slipping forward when pulling hose out

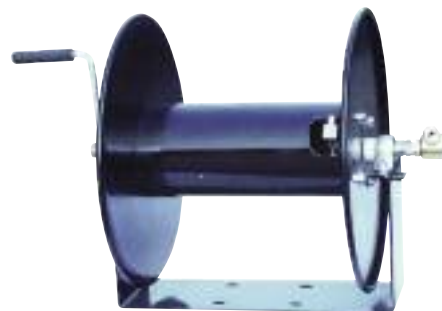
### 420 Series



#### FEATURES

- Designed for industrial applications where longer length of hose is required
- Constructed with heavy gauge powder coated steel
- Adjustable drag brake, full flow swivel joint

### 460 Series



#### FEATURES

- Designed for industrial applications where longer length of hose are required
- Constructed in heavy gauge powder coated steel
- Full flow swivel joint
- Open hose slot drum design, Oil-lite self-lubricating bearings
- Spring loaded lock pin prevents hose from de-reeling

| Part Number        | Inlet/Outlet (ms) | Max Pressure (psi/bar) | Hose Capacity I.D. (ins) | Length (ft/m) | Dimensions (cms) | NW/GW (kgs) |
|--------------------|-------------------|------------------------|--------------------------|---------------|------------------|-------------|
| <b>C901-3-200L</b> | 3⁄8"              | 300/20                 | 3⁄8"                     | 200/60        | 106H x 57W x 50D | 18/20       |
| <b>C901-4-100L</b> | ½"                | 300/20                 | ½"                       | 100/30        | 106H x 57W x 50D | 18/20       |

| Part Number        | Inlet/Outlet (ins) | Max Pressure (psi/bar) | Hose Capacity I.D. (ins) | Length (ft/m) | Dimensions (cms) | NW/GW (kgs) |
|--------------------|--------------------|------------------------|--------------------------|---------------|------------------|-------------|
| <b>C420-3-300L</b> | 3⁄8"               | 3000/200               | 3⁄8"                     | 300/90        | 48H x 43W x 50D  | 12/14       |
| <b>C420-4-100L</b> | ½"                 | 3000/200               | ½"                       | 150/45        | 48H x 43W x 50D  | 12/14       |

| Part Number        | Inlet/Outlet (ms) | Max Pressure (psi/bar) | Hose Capacity I.D. (ins) | Length (ft/m) | Dimensions (cms) | NW/GW (kgs) |
|--------------------|-------------------|------------------------|--------------------------|---------------|------------------|-------------|
| <b>C460-3-350H</b> | 3⁄8"              | 3000/200               | 3⁄8"                     | 350/105       | 50H x 22W x 48D  | 17/19       |
| <b>C460-4-270H</b> | ½"                | 3000/200               | ½"                       | 270/80        | 50H x 22W x 48D  | 17/19       |

## E-Zy Reel - Spring Rewind Hose Reels (808 and 809 Series)

### 808 Series



#### FEATURES

- Corrosion resistant powder coating
- 7" wide L-shaped base with groove reinforcement ensures stable support
- Guide arm adjustable for handling up to 9 positions
- Multi-position ratchet lock and easy tension adjustment

All 808 series powder coated reels come supplied with fitted hose. Please ask for details.

| Part Number                                     | Inlet/Outlet (ins) | Max Pressure (psi/bar) | Hose Capacity I.D. (ins) | Length (ft/m) | Dimensions (cms) | NW/GW (kgs) |
|---|--------------------|------------------------|--------------------------|---------------|------------------|-------------|
| <b>Low Pressure Air/Water Reels</b>             |                    |                        |                          |               |                  |             |
| <b>C808-350L</b>                                | 3/8"               | 300/20                 | 3/8"                     | 50/15         | 55H x 22W x 53D  | 24/26       |
| <b>C808-450L</b>                                | 1/2"               | 300/20                 | 1/2"                     | 50/15         | 55H x 22W x 53D  | 27/29       |
| <b>Medium Pressure Air/Water Reels</b>          |                    |                        |                          |               |                  |             |
| <b>C808-350M</b>                                | 3/8"               | 2250/155               | 3/8"                     | 50/15         | 55H x 22W x 53D  | 24/26       |
| <b>C808-450M</b>                                | 1/2"               | 2000/138               | 1/2"                     | 50/15         | 55H x 22W x 53D  | 26/28       |
| <b>High Pressure Grease/Hydraulic Oil Reels</b> |                    |                        |                          |               |                  |             |
| <b>C808-350H</b>                                | 3/8"               | 4000/276               | 3/8"                     | 50/15         | 55H x 22W x 53D  | 27/29       |

### 809 Series



#### FEATURES

- Heavy-duty steel construction with corrosion resistant powder coating
- 6 1/2" wide L-shaped base ensures stable support
- Guide arm adjustable for handling up to 9 positions
- Multi-position ratchet lock and easy tension adjustment
- Spring fully enclosed and lubricated
- Wall, ceiling, or floor mounted

All 809 series powder coated reels come supplied with fitted hose. Please ask for details.

| Part Number                                     | Inlet/Outlet (ins) | Max Pressure (psi/bar) | Hose Capacity I.D. (ins) | Length (ft/m) | Dimensions (cms) | NW/GW (kgs) |
|---|--------------------|------------------------|--------------------------|---------------|------------------|-------------|
| <b>Low Pressure Air/Water Reels</b>             |                    |                        |                          |               |                  |             |
| <b>C809-325L</b>                                | 3/8"               | 300/20                 | 3/8"                     | 25/8          | 39H x 16W x 39D  | 13/14.5     |
| <b>Medium Pressure Air/Water Reels</b>          |                    |                        |                          |               |                  |             |
| <b>C809-325M</b>                                | 3/8"               | 2250/155               | 3/8"                     | 25/8          | 39H x 16W x 39D  | 14.5/16     |
| <b>High Pressure Grease/Hydraulic Oil Reels</b> |                    |                        |                          |               |                  |             |
| <b>C809-325H</b>                                | 3/8"               | 4000/276               | 3/8"                     | 25/8          | 39H x 16W x 39D  | 16/17.5     |

8

### SS.808 Series

#### FEATURES

- Ideal for food processing, wash down, chemical transfer and industrial solvent handling
- Four non-slag rollers reduce hose wear
- Heavy-duty stainless steel construction with electrolytic polishing
- Full flow stainless shaft and swivel, spring fully enclosed and lubricated
- Multi-position ratchet lock and easy tension adjustment



| Part Number                                  | Inlet/Outlet (ins) | Max Pressure (psi/bar) | Hose Capacity I.D. (ins) | Length (ft/m) | Dimensions (cms) | NW/GW (kgs) |
|--|--------------------|------------------------|--------------------------|---------------|------------------|-------------|
| <b>Low Pressure Stainless Steel Reels</b>    |                    |                        |                          |               |                  |             |
| <b>CSS808-350L</b>                           | 3/8"               | 300/20                 | 3/8"                     | 50/15         | 55H x 22W x 53D  | 18/20       |
| <b>CSS808-450L</b>                           | 1/2"               | 300/20                 | 1/2"                     | 50/15         | 55H x 22W x 53D  | 18/20       |
| <b>Medium Pressure Stainless Steel Reels</b> |                    |                        |                          |               |                  |             |
| <b>CSS808-350M</b>                           | 3/8"               | 3000/200               | 3/8"                     | 50/15         | 55H x 22W x 53D  | 19/21       |
| <b>CSS808-450M</b>                           | 1/2"               | 3000/200               | 1/2"                     | 50/15         | 55H x 22W x 53D  | 19/21       |

Supplied as a bare reel. Hose kits optional

### SS.809 Series

#### FEATURES

- Ideal for food processing, wash down, chemical transfer and industrial solvent handling
- Four non-slag rollers reduce hose wear
- Heavy-duty stainless steel construction with electrolytic polishing
- Full flow stainless shaft and swivel, spring fully enclosed and lubricated
- Multi-position ratchet lock and easy tension adjustment

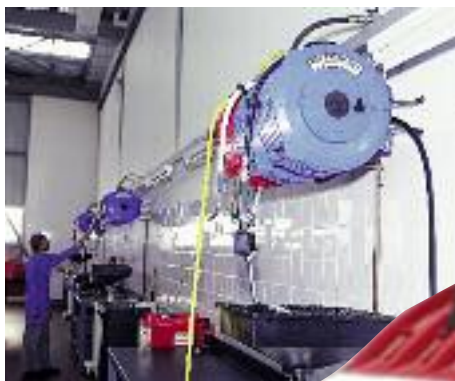


| Part Number                               | Inlet/Outlet (ins) | Max Pressure (psi/bar) | Hose Capacity I.D. (ins) | Length (ft/m) | Dimensions (cms) | NW/GW (kgs) |
|---|--------------------|------------------------|--------------------------|---------------|------------------|-------------|
| <b>Low Pressure Stainless Steel Reels</b> |                    |                        |                          |               |                  |             |
| <b>CSS809-325L</b>                        | 3/8"               | 300/20                 | 3/8"                     | 25/8          | 39H x 16W x 39D  | 11/13       |

Supplied as a bare reel. Hose kits optional

## Retracta Spring Rewind Reels - Multiple Application

Retracta spring rewind hose reels offer performance, reliability and versatility for all popular hose applications. Constructed in high impact UV stabilised polypropylene for all-purpose corrosion free durability, Retracta reels can be installed indoors or out. They are particularly suited to washdown applications in food processing as an alternative to conventional stainless steel reels. Each reel is supplied with fitted hose and a choice of lockable mounting brackets for wall, floor, bench or overhead installation. The switchable latching facility offers free run or latching of the hose at any length while the low rewind tension makes Retracta particularly easy to use.



### FEATURES

- Tough, corrosion free polypropylene construction
- Lightweight – average just 10 kg, easy to install
- Supplied with fitted hose for specified application
- Choice of lockable mounting brackets
- Latching or free run of hose
- Fully automatic hose rewind for neat and tidy storage
- Low effort easy-to-use rewind tension
- Virtually maintenance free
- Completely serviceable – all parts readily available
- Fully warranted

*Retracta - Standard Models All models supplied with fitted hose and mounting bracket. (Also available without hose)*

| Part Number   | Reel Dimensions |      |      | Approx Weight with Cable | Application                | Hose Length | Hose Size (I.D.) | Hose Type                   | Working Pressure  | Inlet Size | Hose Outlet  | Reel Colour |
|---------------|-----------------|------|------|--------------------------|----------------------------|-------------|------------------|-----------------------------|-------------------|------------|--------------|-------------|
|               | Wide            | High | Deep |                          |                            |             |                  |                             |                   |            |              |             |
| <b>AR100</b>  | 10"             | 17½" | 23"  | 10 kg/22 lbs             | Compressed Air             | 60' (20m)   | ¾" (10mm)        | Reinforced PVC              | 230psi (16 bar)   | ¾" BSPF    | ¼" BSPM      | Red         |
| <b>AR200</b>  | 10"             | 17½" | 23"  | 10 kg/22 lbs             | Compressed Air             | 50' (15m)   | ½" (12.5mm)      | Reinforced PVC              | 230psi (16 bar)   | ¾" BSPF    | ¾" BSPM      | Red         |
| <b>CW100</b>  | 10"             | 17½" | 23"  | 10 kg/22 lbs             | Cold Wash 40°C             | 50' (15m)   | ½" (12.5mm)      | Reinforced PVC              | 150psi (10 bar)   | ¾" BSPF    | Bare Hose    | Blue        |
| <b>HW100</b>  | 10"             | 17½" | 23"  | 10 kg/22 lbs             | Hot Wash 90°C              | 40' (12m)   | ½" (12.5mm)      | Reinforced Rubber           | 150psi (10 bar)   | ¾" BSPF    | ¾" BSPM      | Red         |
| <b>HW100D</b> | 10"             | 17½" | 23"  | 10 kg/22 lbs             | Diesel Delivery            | 40' (12m)   | ½" (12.5mm)      | Reinforced Rubber           | 230psi (16 bar)   | ¾" BSPF    | ½" BSPM      | Blue        |
| <b>HW100P</b> | 10"             | 17½" | 23"  | 10 kg/22 lbs             | Propane                    | 50' (15m)   | ¾" (10mm)        | Reinforced Rubber           | 300psi (20 bar)   | ¾" BSPF    | ¾" BSPM      | Red         |
| <b>DR100</b>  | 10"             | 17½" | 23"  | 10 kg/22 lbs             | Garden Reel                | 60' (18m)   | ½" (12.5mm)      | PVC                         | 100psi (7 bar)    | ½" Male    | Blank/Nozzle | Green       |
| <b>FQ100</b>  | 10"             | 17½" | 23"  | 10 kg/22 lbs             | Food Quality Water 95°C    | 40' (12m)   | ½" (12.5mm)      | Reinforced Rubber           | 300psi (20 bar)   | ¾" BSPF    | ¾" BSPM      | Red         |
| <b>FQ200</b>  | 10"             | 17½" | 23"  | 10 kg/22 lbs             | Food Quality (SS fittings) | 40' (12m)   | ½" (12.5mm)      | Reinforced Rubber           | 300psi (20 bar)   | ¾" BSPF    | ½" BSPM      | White       |
| <b>WHP100</b> | 10"             | 17½" | 23"  | 10 kg/22 lbs             | High Pressure Water 95°C   | 40' (12m)   | ¾" (10mm)        | Wire Reinforced Rubber      | 3000psi (205 bar) | ¾" BSPF    | ¾" BSPM      | Red         |
| <b>WP100</b>  | 10"             | 17½" | 23"  | 10 kg/22 lbs             | Chemical                   | 50' (15m)   | ¾" (10mm)        | Reinforced PVC              | 200psi (14 bar)   | ¾" BSPF    | Bare Hose    | Red         |
| <b>OA100</b>  | 10"             | 17½" | 23"  | 10 kg/22 lbs             | Oxy-Acetylene              | 40' (12m)   | ¼" (6mm)         | Dual Hose Reinforced Rubber | 200psi (14 bar)   | ¼" BSPF    | ¼" BSPM      | Blue        |
| <b>OA200</b>  | 10"             | 17½" | 23"  | 10 kg/22 lbs             | Oxy-Acetylene              | 30' (10m)   | ¾" (10mm)        | Dual Hose Reinforced Rubber | 200psi (14 bar)   | ¾" BSPF    | ¾" BSPM      | Blue        |
| <b>OP100</b>  | 10"             | 17½" | 23"  | 10 kg/22 lbs             | Oxy Propane                | 30' (10m)   | ¼" (6mm)         | Dual Hose Reinforced Rubber | 200psi (14 bar)   | ¼" BSPF    | ¼" BSPM      | Blue        |
| <b>OP200</b>  | 10"             | 17½" | 23"  | 10 kg/22 lbs             | Oxy Propane                | 30' (10m)   | ¾" (10mm)        | Dual Hose Reinforced Rubber | 200psi (14 bar)   | ¾" BSPF    | ¾" BSPM      | Blue        |
| <b>OMP100</b> | 10"             | 17½" | 23"  | 10 kg/22 lbs             | Oil Med Pressure           | 30' (10m)   | ¾" (10mm)        | Wire Reinforced Rubber      | 1000psi (69 bar)  | ¾" BSPF    | ¾" BSPM      | Blue        |
| <b>OMP200</b> | 10"             | 17½" | 23"  | 10 kg/22 lbs             | Medium Pressure Oil        | 30' (10m)   | ½" (12.5mm)      | Wire Reinforced Rubber      | 1000psi (69 bar)  | ¾" BSPF    | ½" BSPM      | Blue        |
| <b>GR100</b>  | 10"             | 17½" | 23"  | 10 kg/22 lbs             | Grease                     | 30' (10m)   | ¼" (6mm)         | Wire Reinforced Rubber      | 5000psi (340 bar) | ¼" BSPF    | ¼" BSPM      | Black       |
| <b>BH100</b>  | 10"             | 17½" | 23"  | 10 kg/22 lbs             | Breathing Air (EN139)      | 50' (15m)   | ¾" (10mm)        | Reinforced NBR/PVC          | 180psi (12 bar)   | ¾" BSPF    | ¾" BSPM      | Red         |

All reels supplied with BU100 bracket for wall mounting to 1.8 mtr and overhead.

For higher wall or bench/floor mounting specify BB100 bracket when ordering. Additional mounting brackets are available.

## SS Stainless Steel Spring Rewind Reels Air-Water-Steam-Food Industry-Diesel (max 3000 psi)

Constructed in heavy gauge 304 stainless steel and other non-corroding materials, SS hose reels are designed for use in harsh, corrosive environments or where hygiene is of primary importance. They are ideally suited to washdown applications in food processing and chemical manufacturing and should also be specified for offshore and marine applications where salt spray rules out the use of standard steel models.



### FEATURES

- Heavy duty 304 stainless steel construction
- Double supported solid 1" stainless steel axle
- Multi-position roller arm gives full range of mounting options
- Four direction non-sag roller guides reduce hose wear
- 1/4" stainless steel mounting base for maximum stability
- Slotted and drilled mounting holes for easy installation
- Latching of hose at any length
- Fully automatic hose rewind for neat and tidy storage
- Externally mounted full-flow swivel for maximum product delivery
- All working parts fully accessible for servicing

| Part Number        | Reel Dimensions |      |         | Approx Weight less Hose | Hose Capacity |        |      | Max PSI | Swivel In/Out |
|--------------------|-----------------|------|---------|-------------------------|---------------|--------|------|---------|---------------|
|                    | Wide            | High | Deep    |                         | I.D.          | O.D.   | Feet |         |               |
| <b>SHL-N-350SS</b> | 9 1/4"          | 21"  | 19 5/8" | 58 lb                   | 3/8"          | 5/8"   | 50   | 300     | 3/8" BSPF     |
| <b>SHL-N-450SS</b> | 9 1/4"          | 21"  | 19 5/8" | 58 lb                   | 1/2"          | 7/8"   | 50   | 300     | 1/2" BSPF     |
| <b>SHL-N-525SS</b> | 9 1/4"          | 21"  | 19 5/8" | 58 lb                   | 3/4"          | 1 1/8" | 25   | 300     | 3/4" BSPF     |
| <b>MPL-N-350SS</b> | 9 1/4"          | 21"  | 19 5/8" | 58 lb                   | 3/8"          | 5/8"   | 50   | 3000    | 3/8" BSPF     |

## SS Stainless Steel Manual Rewind Reels Air-Water-Steam-Food Industry-Diesel (max 4000 psi)

Stainless steel hose reels are ideal for the food processing, pre-rinse, wash down, chemical transfer and industrial solvent handling markets. Also suitable for coastal, off-shore and onboard ship in marine applications where the harsh environment of salt spray requires the use of stainless steel constructed hose reels.

### FEATURES

- Lightweight compact design
- Heavy duty 304 Stainless Steel construction
- Standard 4000psi working pressure
- Adjustable drag brake to prevent hose overspill
- Crank folds against frame when not in use
- Wall, floor, bench or mobile mounting



| Part Number        | Reel Dimensions |      |      | Approx Weight less Hose | Hose Capacity |        |      | Max PSI | Swivel In/Out |
|--------------------|-----------------|------|------|-------------------------|---------------|--------|------|---------|---------------|
|                    | Wide            | High | Deep |                         | I.D.          | O.D.   | Feet |         |               |
| <b>112-4-75SS</b>  | 14"             | 13"  | 12"  | 21 lb                   | 1/2"          | 7/8"   | 75   | 4000    | 1/2" BSPF     |
| <b>113-4-225SS</b> | 14"             | 18"  | 17"  | 33 lb                   | 1/2"          | 7/8"   | 225  | 4000    | 1/2" BSPF     |
| <b>117-5-100SS</b> | 14"             | 18"  | 17"  | 36 lb                   | 3/4"          | 1 1/8" | 100  | 4000    | 3/4" BSPF     |

## P-LP/SH Heavy Duty Spring Rewind Reels Air-Water-Food Industry-Diesel (max 300 psi)

P-LP/SH Heavy Duty hose reels are engineered for rugged durability. Constructed in 'heavy gauge' powder coated steel for maximum strength and reliability, these spring rewind reels provide years of trouble free service with minimum maintenance. The eight-position roller arm adjusts for wall, overhead and floor mounting while the full flow swivel ensures maximum product delivery. All models available with or without fitted hose.

### FEATURES

- Heavy duty steel construction with durable blue powder finish
- Double supported solid 1" steel axle
- Multi-position roller arm gives full range of mounting options
- Four direction non-snap roller guides reduce hose wear
- 1/4" steel mounting base for maximum stability
- Slotted and drilled mounting holes for easy installation
- Latching of hose at any length

- Fully automatic hose rewind for neat and tidy storage
- Externally mounted full-flow swivel for maximum product delivery
- All working parts fully accessible for servicing

**Hose's supplied at an extra cost.**



| Part Number       | Reel Dimensions |         |         | Approx Weight less Hose | Hose Capacity |         |      | Max PSI | Swivel In/Out |
|-------------------|-----------------|---------|---------|-------------------------|---------------|---------|------|---------|---------------|
|                   | Wide            | High    | Deep    |                         | I.D.          | O.D.    | Feet |         |               |
| <b>P-LPL-125</b>  | 6"              | 14 1/2" | 13 3/4" | 29 lb                   | 1/4"          | 1/2"    | 25   | 300     | 1/4" BSPF     |
| <b>P-LPL-150</b>  | 6 1/8"          | 18 1/4" | 17 1/4" | 39 lb                   | 1/4"          | 1/2"    | 50   | 300     | 1/4" BSPF     |
| <b>P-LPL-325</b>  | 6"              | 14 1/2" | 13 3/4" | 29 lb                   | 3/8"          | 5/8"    | 25   | 300     | 3/8" BSPF     |
| <b>P-LPL-350</b>  | 6 1/8"          | 18 1/4" | 17 1/4" | 39 lb                   | 3/8"          | 5/8"    | 50   | 300     | 3/8" BSPF     |
| <b>SHL-N-375</b>  | 9 1/4"          | 25 1/2" | 23"     | 81 lb                   | 3/8"          | 5/8"    | 75   | 300     | 3/8" BSPF     |
| <b>SHL-N-3100</b> | 9 1/4"          | 25 1/2" | 23"     | 81 lb                   | 3/8"          | 5/8"    | 100  | 300     | 3/8" BSPF     |
| <b>P-LPL-425</b>  | 6 1/8"          | 18 1/4" | 17 1/4" | 39 lb                   | 1/2"          | 7/8"    | 25   | 300     | 1/2" BSPF     |
| <b>SHL-N-450</b>  | 9 1/4"          | 21"     | 19 5/8" | 55 lb                   | 1/2"          | 7/8"    | 50   | 300     | 1/2" BSPF     |
| <b>SHL-N-475</b>  | 9 1/4"          | 25 1/2" | 23"     | 81 lb                   | 1/2"          | 7/8"    | 75   | 300     | 1/2" BSPF     |
| <b>SHL-N-4100</b> | 9 1/4"          | 25 1/2" | 23"     | 81 lb                   | 1/2"          | 7/8"    | 100  | 300     | 1/2" BSPF     |
| <b>SHL-N-525</b>  | 9 1/4"          | 21"     | 19 5/8" | 55 lb                   | 3/4"          | 1 1/8"  | 25   | 300     | 3/4" BSPF     |
| <b>SHL-N-550</b>  | 9 1/4"          | 25 1/2" | 23"     | 81 lb                   | 3/4"          | 1 1/8"  | 50   | 300     | 3/4" BSPF     |
| <b>SHL-N-635</b>  | 10"             | 25 1/2" | 23"     | 75 lb                   | 1"            | 1 7/16" | 35   | 300     | 1" NPTF       |

## P-MP/MP/P-P/HP Heavy Duty Spring Rewind Reels Water-Steam-Oil-Grease (max 5000 psi)

Designed for medium and high pressure delivery of water, oil and grease these heavy duty reels feature the same design benefits as the P-LP/SH series. The oil and grease models are ideally suited to lubrication systems in automotive workshops where durability and reliability are paramount. For pressure washer users the 3000 psi/150c rating of the medium pressure water reels provides a solution to the problem of persistent hose damage.

### FEATURES

- Heavy duty steel construction with durable blue powder finish
- Double supported solid 1" steel axle
- Multi-position roller arm gives full range of mounting options
- Four direction non-snap roller guides reduce hose wear
- 1/4" steel mounting base for maximum stability
- Slotted and drilled mounting holes for easy installation
- Latching of hose at any length

- Fully automatic hose rewind for neat and tidy storage
- Externally mounted full-flow swivel for maximum product delivery
- All working parts fully accessible for servicing

**Hose's supplied at an extra cost.**



| Part Number      | Reel Dimensions |         |         | Approx Weight less Hose | Hose Capacity |      |      | Max PSI | Swivel In/Out |
|------------------|-----------------|---------|---------|-------------------------|---------------|------|------|---------|---------------|
|                  | Wide            | High    | Deep    |                         | I.D.          | O.D. | Feet |         |               |
| <b>P-MPL-325</b> | 7"              | 18 1/4" | 17 1/4" | 40 lb                   | 3/8"          | 5/8" | 25   | 3000    | 1 3/8" BSPF   |
| <b>MPL-N-350</b> | 9 1/4"          | 21"     | 19 5/8" | 56 lb                   | 3/8"          | 5/8" | 50   | 3000    | 3/8" BSPF     |
| <b>MPL-N-375</b> | 9 1/4"          | 25 1/2" | 23"     | 81 lb                   | 3/8"          | 5/8" | 75   | 3000    | 3/8" BSPF     |
| <b>P-MPL-425</b> | 7"              | 18 1/4" | 17 1/4" | 40 lb                   | 1/2"          | 3/4" | 25   | 2500    | 1/2" BSPF     |
| <b>MPL-N-450</b> | 9 1/4"          | 21"     | 19 5/8" | 56 lb                   | 1/2"          | 3/4" | 50   | 2500    | 1/2" BSPF     |
| <b>MPL-N-475</b> | 9 1/4"          | 25 1/2" | 23"     | 81 lb                   | 1/2"          | 3/4" | 75   | 2500    | 1/2" BSPF     |
| <b>P-HPL-125</b> | 7"              | 18 1/4" | 17 1/4" | 40 lb                   | 1/2"          | 1/2" | 25   | 5000    | 1/4" BSPF     |
| <b>HPL-N-150</b> | 9 1/4"          | 21"     | 19 5/8" | 56 lb                   | 1/4"          | 1/2" | 50   | 5000    | 1/4" BSPF     |
| <b>P-HPL-325</b> | 7"              | 18 1/4" | 17 1/4" | 40 lb                   | 3/8"          | 3/4" | 25   | 4000    | 3/8" BSPF     |
| <b>HPL-N-350</b> | 9 1/4"          | 21"     | 19 5/8" | 56 lb                   | 3/8"          | 3/4" | 50   | 4000    | 3/8" BSPF     |

## C Dual Spring Rewind Hose Reels Air and/or Water (max 300 psi)



Pirtek C dual hose reels feature two heavy duty spring rewind hose reels on a single support post. Each reel operates independently for delivery of air or water. Finished in a durable coating of baked powder paint to resist corrosion C reels are ideal for twin service applications at one location reducing installation time and maximising use of available space. Both reels feature multi-position roller arms and latching of hose with fully automatic spring rewind. Swivels and spring cans are externally mounted for ease of access for servicing.

### FEATURES

- Independent operation of each reel
- Heavy duty steel construction with durable blue powder coat finish
- Heavy duty 1/4" plate steel support post
- Twin solid 1" steel axles
- Multi-position roller guide arms
- Non-snap roller assemblies
- Latching of hose at any length
- Fully automatic hose rewind
- Full flow swivels for maximum product delivery
- Twin 1" oil-lite self-lubricating bearings

**Hose's supplied at an extra cost.**

| Part Number          | Reel Dimensions |      |      | Approx Weight less Hose | Hose Capacity |      |      | Max PSI | Swivel In/Out |
|----------------------|-----------------|------|------|-------------------------|---------------|------|------|---------|---------------|
|                      | Wide            | High | Deep |                         | I.D.          | O.D. | Feet |         |               |
| <b>C-LPL-325-325</b> | 11"             | 18"  | 17"  | 65 lb                   | 3/8"          | 5/8" | 25   | 300     | 3/8" BSPF     |
| <b>C-LPL-350-350</b> | 11"             | 18"  | 17"  | 65 lb                   | 3/8"          | 5/8" | 50   | 300     | 3/8" BSPF     |
| <b>C-LPL-425-425</b> | 11"             | 18"  | 17"  | 65 lb                   | 1/2"          | 7/8" | 25   | 300     | 1/2" BSPF     |

## SP High Capacity Spring Rewind Hose Reels Air-Water-Oil-Food Industry-Diesel (max 1000 psi)

8



Pirtek SP high capacity reels are designed for high volume delivery of air, water and oil at low and medium pressures. Constructed in heavy gauge powder coated steel SP reels are suitable for use in fixed applications or on mobile service vehicles where longer lengths or larger diameters of hose are necessary but the convenience of spring rewind is still required. The roller guide can be set for floor, wall or overhead installation.

### FEATURES

- Heavy duty steel construction with durable blue powder finish
- Double supported steel axle
- Stainless steel roller guides reduce hose wear
- Floor, wall or overhead mounting options
- Reinforced steel frame for maximum stability
- Drilled mounting holes for easy installation
- Latching of hose at any length
- Fully automatic hose rewind for neat and tidy storage
- Externally mounted full-flow swivel for maximum product delivery
- All working parts easily accessible for servicing

**Hose's supplied at an extra cost.**

| Part Number      | Reel Dimensions |         |         | Approx Weight less Hose | Hose Capacity |        |      | Max PSI | Swivel In/Out |
|------------------|-----------------|---------|---------|-------------------------|---------------|--------|------|---------|---------------|
|                  | Wide            | High    | Deep    |                         | I.D.          | O.D.   | Feet |         |               |
| <b>SLPL-375</b>  | 20"             | 24 1/2" | 26"     | 145 lb                  | 3/4"          | 1 1/4" | 75   | 300     | 3/4" BSPF     |
| <b>SLPL-5100</b> | 20"             | 24 1/2" | 26"     | 145 lb                  | 3/4"          | 1 1/4" | 100  | 300     | 3/4" BSPF     |
| <b>SLPL-625</b>  | 21"             | 20 1/2" | 25"     | 110 lb                  | 1"            | 1 1/2" | 25   | 300     | 1" NPTF       |
| <b>SLPL-650</b>  | 21"             | 20 1/2" | 25"     | 110 lb                  | 1"            | 1 1/2" | 50   | 300     | 1" NPTF       |
| <b>SLPL-675</b>  | 21"             | 28 1/2" | 30"     | 130 lb                  | 1"            | 1 1/2" | 75   | 300     | 1" NPTF       |
| <b>SMPL-550</b>  | 20 1/2"         | 20 1/2" | 22 1/2" | 145 lb                  | 3/4"          | 1 1/4" | 50   | 1000    | 3/4" BSPF     |
| <b>SMPL-575</b>  | 20"             | 24 1/2" | 26"     | 145 lb                  | 3/4"          | 1 1/4" | 75   | 1000    | 3/4" BSPF     |
| <b>SMPL-5100</b> | 20"             | 24 1/2" | 26"     | 145 lb                  | 3/4"          | 1 1/4" | 100  | 1000    | 3/4" BSPF     |
| <b>SMPL-625</b>  | 21"             | 20 1/2" | 25"     | 110 lb                  | 1"            | 1 1/2" | 25   | 1000    | 1" NPTF       |
| <b>SMPL-650</b>  | 21"             | 20 1/2" | 25"     | 110 lb                  | 1"            | 1 1/2" | 50   | 1000    | 1" NPTF       |
| <b>SMPL-675</b>  | 21"             | 28 1/2" | 30"     | 130 lb                  | 1"            | 1 1/2" | 75   | 1000    | 1" NPTF       |

## SHW Spring Rewind Welding Reels Oxy-Acetylene/Oxy-Propane (max 200 psi)

SHW reels are designed for twin hose oxy-acetylene and oxy-propane gas applications. The robust powder coated steel construction combines maximum stability with ease of use while the dual ported swivel features multiple O rings for positive gas separation. The automatic hose rewind minimises the risk of hose damage and removes the potential trip hazard of loose hose from the floor. All SHW reels feature spark-free operation for added safety.

### FEATURES

- Heavy duty steel construction with durable blue powder finish
- Double supported solid 1" steel axle
- Multi-position roller arm gives full range of mounting options
- Four direction non-slag roller guides reduce hose wear
- 1/4" steel mounting base for maximum stability
- Slotted and drilled mounting holes for easy installation
- Spark-free latching mechanism locks hose at any length
- Fully automatic hose rewind for neat and tidy storage
- Externally mounted dual ported swivel with multiple O rings
- All working parts fully accessible for servicing

Hose's supplied at an extra cost.



| Model Reference   | Reel Dimensions |         |         | Approx Weight less Hose | Hose Capacity |      |      | Max PSI | Swivel In/Out |
|-------------------|-----------------|---------|---------|-------------------------|---------------|------|------|---------|---------------|
|                   | Wide            | High    | Deep    |                         | I.D.          | O.D. | Feet |         |               |
| <b>SHWL-N-140</b> | 9 1/4"          | 21"     | 19 5/8" | 55 lb                   | 1/4"          | 1/2" | 40   | 200     | 1/4" BSPM     |
| <b>SHWL-N-340</b> | 9 1/4"          | 21"     | 19 5/8" | 55 lb                   | 3/8"          | 5/8" | 40   | 200     | 3/8" BSPM     |
| <b>SHWL-N-375</b> | 9 1/4"          | 25 1/2" | 23"     | 81 lb                   | 3/8"          | 5/8" | 75   | 200     | 3/8" BSPM     |

## DP Dual Spring Rewind Hose Reels Air-Water-Oil (max 2500 psi)

Pirtek DP reels feature two independent swivel joints and two outlet risers to simultaneously handle two hoses of equal length on one reel. Siamesed, separate or hoses of different diameters can be accommodated in which case the larger hose diameter determines the capacity of the reel. Finished in a durable coating of baked powder paint to resist corrosion DP reels are ideal for twin service delivery to a single source or flow/return applications. All reels feature latching of hose with fully automatic spring rewind.

### FEATURES

- Twin inlets/outlets on a single drum
- Heavy duty steel construction with durable blue powder finish
- Reinforced steel frame for maximum stability
- Suitable for floor, wall or overhead mounting
- Latching of hose at any length
- Fully automatic spring rewind
- Externally mounted full flow swivels for maximum product delivery
- Four way stainless steel roller guides reduce hose wear
- All working parts easily accessible for servicing



| Model Reference | Reel Dimensions |      |      | Approx Weight less Hose | Hose Capacity |      |        | Max PSI | Swivel In/Out |
|-----------------|-----------------|------|------|-------------------------|---------------|------|--------|---------|---------------|
|                 | Wide            | High | Deep |                         | I.D.          | O.D. | Feet   |         |               |
| <b>DLPL-350</b> | 22"             | 20"  | 25"  | 115 lb                  | 3/8"          | 5/8" | 2 x 50 | 300     | 1/2" BSPF     |
| <b>DLPL-450</b> | 22"             | 20"  | 25"  | 115 lb                  | 1/2"          | 7/8" | 2 x 50 | 300     | 1/2" BSPF     |
| <b>DMPL-350</b> | 22"             | 20"  | 25"  | 115 lb                  | 3/8"          | 5/8" | 2 x 50 | 2500    | 1/2" BSPF     |
| <b>DMPL-450</b> | 22"             | 20"  | 25"  | 115 lb                  | 1/2"          | 7/8" | 2 x 50 | 2500    | 1/2" BSPF     |

## Competitor Hand Cranked and Power Rewind 1125 SERIES Air-Water-Oil (max 3000 psi)

“Competitor” hand crank reels are designed for industrial applications where longer lengths of hose are required. Constructed in heavy gauge powder coated steel, all models are assembled and ready for wall, floor or overhead installation. The direct crank action combined with twin bearings requires minimum rewind effort, while the spring-loaded locking pin prevents drum rotation when not in use. “Competitor” power rewind reels combine the necessity of long hose lengths with the convenience of automatic rewind.



### FEATURES

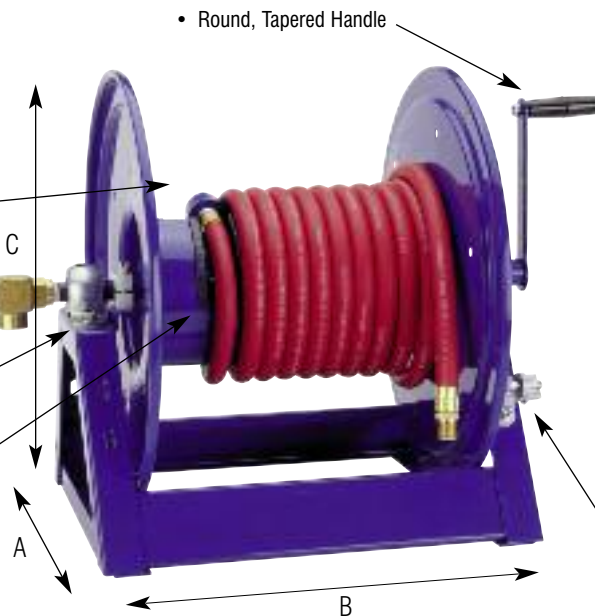
- Discs: Heavy gauge steel with rolled edges to add strength and eliminate hose damage
- Solid frame: All steel
- Rewind hand crank: Solid steel with a roller hand grip
- Swivel joint: Permits reel to rotate smoothly while connected to the fluid source. Brass and steel are used as standard for swivel joint inlets. Stainless steel and other alloys can be supplied to meet special requirements
- Bearing: Self-aligning pillow block bearings support the drum assembly
- Rewind mechanism: Positive gear drive on all power rewind reels
- Drum assembly: All Steel
- Axle/riser assembly: Provides full flow through the internal plumbing
- Lock pin: Standard on hand crank models, available at extra cost on power rewind
- Tension brake: Standard on hand crank models
- Rewind motor: Electric rewind. Compressed air motors also available

All reels supplied without hose.

8

### SPECIAL FEATURES

- Low Profile Outlet Riser
- Full Flow Brass Swivel Joint
- Long-Wearing Corrosion Resistant Adjustable Tension Brake
- Open Hose Slot Drum Design



• Round, Tapered Handle

### Product temperatures:

These reels handle product temperatures from -20° to +225°F.

### Product working pressure:

Standard working pressure is 3000psi. Optional 5000psi available

### A - AIR REWIND

No. 4 gast compressed air motor

### ED - ELECTRIC DC

Explosion proof 1/2 H.P. rewind reversible type

### E - ELECTRIC DC

Non explosion proof 1/3 H.P. rewind reversible type

### EA - ELECTRIC AC

Explosion proof 115V 1/2 H.P. rewind, A.C. motor reversible

• Long Handled Lock Pin

| I.D.<br>O.D. | Hose Capacity |      |      | Part<br>Number    | Depth A | Reel dimensions in inches |                    |                  |                     |                     |                   | Inlet &<br>Outlet Size<br>B.S.P.F. (ins) | Working<br>Pressure<br>P.S.I. | Approx<br>Lbs |
|--------------|---------------|------|------|-------------------|---------|---------------------------|--------------------|------------------|---------------------|---------------------|-------------------|--|-------------------------------|---------------|
|              | 3/8"          | 1/2" | 3/4" |                   |         | Width B<br>(Crank)        | Width B<br>(Elect) | Width B<br>(Air) | Height C<br>(Crank) | Height C<br>(Elect) | Height C<br>(Air) |  |                               |               |
|              | 140           | 100  |      | <b>1125-4-100</b> | 17"     | 21 3/4"                   | 18 3/8"            | 16 1/2"          | 18 1/8"             | 18 3/4"             | 18 3/4"           | 1/2"                                     | 3000                          | 36            |
|              | 300           | 200  |      | <b>1125-4-200</b> | 17"     | 27 3/4"                   | 24 3/8"            | 22 1/2"          | 18 1/8"             | 18 3/4"             | 18 3/4"           | 1/2"                                     | 3000                          | 38            |
|              | 450           | 325  |      | <b>1125-4-325</b> | 17"     | 33 3/4"                   | 30 3/8"            | 28 1/2"          | 18 1/8"             | 18 3/4"             | 18 3/4"           | 1/2"                                     | 3000                          | 43            |
|              | 625           | 450  |      | <b>1125-4-450</b> | 17"     | 39 3/4"                   | 36 3/8"            | 34 1/2"          | 18 1/8"             | 18 3/4"             | 18 3/4"           | 1/2"                                     | 3000                          | 52            |
|              | 100           | 50   |      | <b>1125-5-50</b>  | 17"     | 21 1/4"                   | 18 3/8"            | 16 1/2"          | 18 1/8"             | 18 3/4"             | 18 3/4"           | 3/4"                                     | 3000                          | 37            |
|              | 200           | 100  |      | <b>1125-5-100</b> | 17"     | 27 1/4"                   | 24 3/8"            | 22 1/2"          | 18 1/8"             | 18 3/4"             | 18 3/4"           | 3/4"                                     | 3000                          | 39            |
|              | 325           | 175  |      | <b>1125-5-175</b> | 17"     | 33 1/4"                   | 30 3/8"            | 28 1/2"          | 18 1/8"             | 18 3/4"             | 18 3/4"           | 3/4"                                     | 3000                          | 44            |
|              | 500           | 250  |      | <b>1125-5-250</b> | 17"     | 43 1/4"                   | 40 3/8"            | 38 1/2"          | 18 1/8"             | 18 3/4"             | 18 3/4"           | 3/4"                                     | 3000                          | 59            |

## Competitor Hand Cranked and Power Rewind 1175 Series Air-Water-Oil (max 3000 psi)

Series 1175 hand crank reels are designed for industrial applications where longer lengths of hose are required. Constructed in heavy gauge powder coated steel, all models are assembled and ready for wall, floor or overhead installation. The direct crank action combined with twin bearings requires minimum rewind effort, while the spring-loaded locking pin prevents drum rotation when not in use. Series 1175 power rewind reels combine the necessity of long hose lengths with the convenience of automatic rewind.

### FEATURES

- Discs: Heavy gauge steel with rolled edges to add strength and eliminate hose damage
- Solid frame: All steel
- Lock pin: Standard on hand crank models, available at extra cost on power rewind
- Rewind motor: Electric, compressed air motors available
- Swivel joint: Permits reel to rotate smoothly while connected to the fluid source. Aluminium and steel are used as standard for swivel joint inlets. Stainless steel and other alloys can be supplied to meet special requirements
- Bearing: Self-aligning pillow block bearings support the drum assembly
- Rewind mechanism: Chain and sprocket drive on all power rewind reels
- Drum assembly: All Steel
- Axle/riser assembly: Provides full flow through the internal plumbing
- Rewind hand crank: Solid steel with a roller hand grip
- Tension brake: Standard on hand crank models



### Rewind:

Hand crank - crank attaches to axle and is permanent or removable at the user's option. Motor - chain and sprocket drive; Hand crank available as an option.

### Inlet Swivel Assembly:

|               |                                 |
|---------------|---------------------------------|
| Series        | Swivel Assembly                 |
| 1175-6 Series | 1" female N.P.T. 90°            |
| 1175-8 Series | 1 - 1/2" female N.P.T. straight |

### Outlet Riser:

|               |                        |
|---------------|------------------------|
| Series        | Riser                  |
| 1175-6 Series | 1" female N.P.T.       |
| 1175-8 Series | 1 - 1/2" female N.P.T. |

Garden hose thread available; consult factory.

### Hose Roller Guides:

See page 195 for details.

### Product temperatures:

These reels handle product temperatures from -20° to +225°F.

### Product working pressure:

See table below.

| I.D. | Hose Capacity |         |          |         | Part Number       | Reel dimensions in inches |                 |                 |               | Inlet & Outlet Size B.S.P.F. (ins) | Working Pressure P.S.I. | Approx Lbs |          |
|------|---------------|---------|----------|---------|-------------------|---------------------------|-----------------|-----------------|---------------|------------------------------------|-------------------------|------------|----------|
|      | 3/4"          | 1"      | 1 1/4"   | 1 1/2"  |                   | Depth A                   | Width B (Crank) | Width B (Elect) | Width B (Air) |                                    |                         |            | Height C |
| O.D. | 1 1/4"        | 1 7/16" | 1 13/16" | 2 1/16" |                   |                           |                 |                 |               |                                    |                         |            |          |
|      | 100           | 50      |          |         | <b>1175-6-50</b>  | 24"                       | 24 3/4"         | 20 3/8"         | 18 1/2"       | 26 1/4"                            | 1"                      | 3000       | 90       |
|      | 150           | 100     |          |         | <b>1175-6-100</b> | 24"                       | 28 3/4"         | 24 3/8"         | 22 1/2"       | 26 1/4"                            | 1"                      | 3000       | 98       |
|      | 250           | 150     |          |         | <b>1175-6-150</b> | 24"                       | 32 3/4"         | 28 3/8"         | 26 1/2"       | 26 1/4"                            | 1"                      | 3000       | 106      |
|      | 300           | 200     |          |         | <b>1175-6-200</b> | 24"                       | 37 3/4"         | 32 7/8"         | 31"           | 26 1/4"                            | 1"                      | 3000       | 115      |
|      |               |         | 75       | 50      | <b>1175-8-50</b>  | 24"                       | 24 1/16"        | -               | -             | -                                  | 1 1/2"                  | 600        | 118      |
|      |               |         | 125      | 100     | <b>1175-8-100</b> | 24"                       | 32 9/16"        | -               | -             | -                                  | 1 1/2"                  | 600        | 133      |
|      |               |         | 220      | 150     | <b>1175-8-150</b> | 28"                       | 37 9/16"        | -               | -             | -                                  | 1 1/2"                  | 600        | 170      |

Competitor Hand Cranked and Power Rewind 1185 & 1195 SERIES Air-Water-Oil (max 3000 psi)

Series 1185 & 1195 hand crank reels are designed for industrial applications where longer lengths of hose are required. Constructed in heavy gauge powder coated steel, all models are assembled and ready for wall, floor or overhead installation. The direct crank action combined with twin bearings requires minimum rewind effort, while the spring-loaded locking pin prevents drum rotation when not in use. Series 1185 & 1195 power rewind reels combine the necessity of long hose lengths with the convenience of automatic rewind.



**FEATURES**

- Discs: Heavy gauge steel with rolled edges to add strength and eliminate hose damage
- Solid frame: All steel
- Lock pin: Standard on hand crank models, available at extra cost on power rewind
- Rewind motor: Electric, compressed air motors available
- Swivel joint: Permits reel to rotate smoothly while connected to the fluid source. Aluminium and steel are used as standard for swivel joint inlets. Stainless steel and other alloys can be supplied to meet special requirements
- Bearing: Self-aligning pillow block bearings support the drum assembly
- Rewind mechanism: Chain and sprocket drive on all power rewind reels
- Drum assembly: All Steel
- Axle/riser assembly: Provides full flow through the internal plumbing
- Rewind hand crank: Solid steel with a roller hand grip
- Tension brake: Standard on hand crank models

8

| Part Number         | Reel Dimensions |      |      | Drum Diameter | Inlet/Outlet N.P.T Females | Working Pressure | Hose Capacity | Approx Weight Less Hose |
|---------------------|-----------------|------|------|---------------|----------------------------|------------------|---------------|-------------------------|
|                     | Wide            | High | Deep |               |                            |                  |               |                         |
| <b>1185L-8-175</b>  | 46"             | 25"  | 24"  | 10½"          | 1½" x 1½"                  | 600psi           | 175'          | 165lbs                  |
| <b>1185L-8-250</b>  | 46"             | 29"  | 28"  | 10½"          | 1½" x 1½"                  | 600psi           | 250'          | 181lbs                  |
| <b>1195L-10-50</b>  | 20"             | 34"  | 32"  | 10½"          | 2" x 2"                    | 600psi           | 50'           | 142lbs                  |
| <b>1195L-10-75</b>  | 24"             | 34"  | 32"  | 15½"          | 2" x 2"                    | 600psi           | 75'           | 165lbs                  |
| <b>1195L-10-100</b> | 31"             | 34"  | 32"  | 15½"          | 2" x 2"                    | 600psi           | 100'          | 206lbs                  |

## PR Series Portable Hose Reels Air-Water-Oil (max 3000 psi)

PR series trolley mounted reels are constructed from heavy gauge powder coated steel and allow you to move heavy long lengths of hose from one site to another with minimum effort. All swivel joints are 90 degrees and the fluid path will handle product temperatures from -20° F to +225° F.

### FEATURES

- All steel heavy duty construction
- A positive steel lock pin – prevents drum from turning when in transit
- Removable handle for compact storage and shipping
- Solid rubber tyres
- Steel front legs with rubber front feet – prevents reel from slipping forward when pulling out hose
- Adjustable drag brake – prevents hose backlash when unreeling

| Part Number      | Reel Dimensions |         |         | Approx Weight less Hose | Hose Capacity |         |      | Max PSI | Swivel In/Out |
|------------------|-----------------|---------|---------|-------------------------|---------------|---------|------|---------|---------------|
|                  | Wide            | High    | Deep    |                         | I.D.          | O.D.    | Feet |         |               |
| <b>PRL-4-200</b> | 19"             | 40 3/4" | 18 1/2" | 56 lb                   | 1/2"          | 7/8"    | 200  | 3000    | 1/2" BSPF     |
| <b>PRL-6-100</b> | 18 1/2"         | 40 3/4" | 22 3/4" | 85 lb                   | 1"            | 1 1/2"  | 100  | 3000    | 1" NPTF       |
| <b>PRL-4-100</b> | 21 3/4"         | 40 3/4" | 20 3/4" | 50 lb                   | 1/2"          | 7/8"    | 100  | 3000    | 1/2" NPTF     |
| <b>PRL-5-50</b>  | 21 3/4"         | 40 3/4" | 20 3/4" | 50 lb                   | 3/4"          | 1 1/8"  | 50   | 3000    | 3/4" NPTF     |
| <b>PRL-6-150</b> | 32 3/4"         | 40 3/4" | 27 1/2" | 89 lb                   | 1"            | 1 1/2"  | 150  | 3000    | 1" NPTF       |
| <b>PRL-8-75</b>  | 28 3/4"         | 40 3/4" | 27 1/2" | 90 lb                   | 1 1/2"        | 2 1/16" | 75   | 600     | 1 1/2" NPTF   |



## Challenger High Pressure Hand Cranked Hose Reels Pressure Wash-Steam-Water-Air (max 4000 psi)

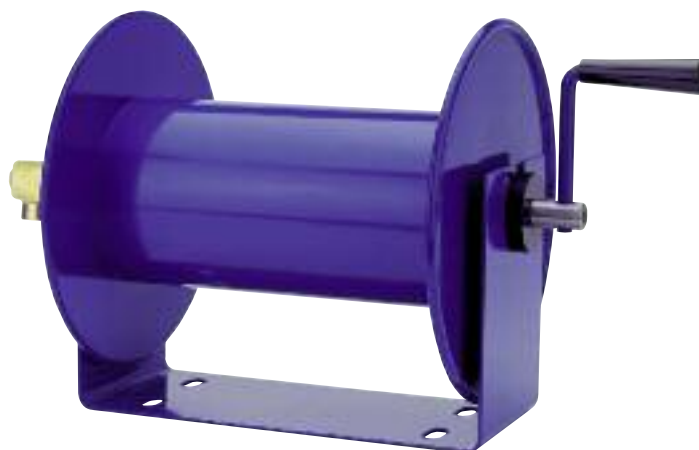
Challenger offers high performance in a compact, lightweight hand cranked hose reel. Constructed in heavy gauge steel with a durable powder finish Challenger reels are suitable for wall, floor or bench mounting. They can also be installed on mobile pressure washer units or trailers where size and weight are important factors. Although designed primarily for pressure wash and steam cleaning applications these reels can also be used with air and washdown hoses – ask for details.

### SELECTED MODELS ALSO AVAILABLE IN STAINLESS STEEL

### FEATURES

- Lightweight, compact design
- Heavy duty steel construction
- Durable baked powder coat finish
- Standard 4000psi working pressure
- Maximum temperature 107°C
- Direct hand crank rewind
- Full flow swivel for maximum product delivery
- Adjustable drag brake to prevent hose overspill
- Crank handle folds against frame when not in use
- Wall, floor, bench or mobile mounting

| Part Number       | Reel Dimensions |      |      | Approx Weight less Hose | Hose Capacity |      |      | Max PSI | Swivel In/Out |
|-------------------|-----------------|------|------|-------------------------|---------------|------|------|---------|---------------|
|                   | Wide            | High | Deep |                         | I.D.          | O.D. | Feet |         |               |
| <b>112L-3-100</b> | 9"              | 13"  | 12"  | 18.5 lb                 | 3/8"          | 5/8" | 100  | 4000    | 3/8" BSPF     |
| <b>112L-3-150</b> | 14"             | 13"  | 12"  | 21 lb                   | 3/8"          | 5/8" | 150  | 4000    | 3/8" BSPF     |
| <b>112L-3-250</b> | 19 1/2"         | 18"  | 17"  | 30"                     | 3/8"          | 5/8" | 250  | 4000    | 3/8" BSPF     |
| <b>112L-4-75</b>  | 14"             | 13"  | 12"  | 21 lb                   | 1/2"          | 7/8" | 75   | 4000    | 1/2" BSPF     |
| <b>112L-4-225</b> | 14"             | 18"  | 17"  | 33 lb                   | 1/2"          | 7/8" | 225  | 4000    | 1/2" BSPF     |



## EN Enclosed Heavy Duty Spring Rewind Reels Air-Water-Oil-Grease (max 5000 psi)



Pirtek EN enclosed reels offer the same innovative design features and benefits as their open counterparts but in a rugged steel cabinet for maximum protection. The 3-piece enclosure which provides easy access for installation and maintenance is finished with a durable coating of baked powder paint which prevents corrosion under normal circumstances. The hose roller guide can be moved to any position on the drum to suit all mounting options.

### FEATURES

- Heavy duty steel construction with durable blue powder finish
- 3-piece enclosure for maximum protection
- Double supported solid 1" steel axle
- 1/4" steel mounting base for maximum stability
- Slotted and drilled mounting holes for easy installation
- Latching of hose at any length
- Fully automatic hose rewind for neat and tidy storage
- Externally mounted full-flow swivel for maximum product delivery
- All working parts easily accessible for servicing

| Part Number       | Reel Dimensions |         |         | Approx Weight less Hose | Hose Capacity |      |      | Max PSI | Swivel In/Out |
|-------------------|-----------------|---------|---------|-------------------------|---------------|------|------|---------|---------------|
|                   | Wide            | High    | Deep    |                         | I.D.          | O.D. | Feet |         |               |
| <b>ENL-N-125</b>  | 7"              | 18 3/4" | 18 3/4" | 53 lb                   | 1/4"          | 1/2" | 25   | 300     | 1/4" BSPF     |
| <b>ENL-N-150</b>  | 7"              | 18 3/4" | 18 3/4" | 53 lb                   | 1/4"          | 1/2" | 50   | 300     | 1/4" BSPF     |
| <b>ENL-N-325</b>  | 7"              | 18 3/4" | 18 3/4" | 53 lb                   | 3/8"          | 5/8" | 25   | 300     | 3/8" BSPF     |
| <b>ENL-N-350</b>  | 9 1/4"          | 21 3/4" | 21 3/4" | 68 lb                   | 3/8"          | 5/8" | 50   | 300     | 3/8" BSPF     |
| <b>ENL-N-425</b>  | 7"              | 18 3/4" | 18 3/4" | 53 lb                   | 1/2"          | 7/8" | 25   | 300     | 1/2" BSPF     |
| <b>ENL-N-450</b>  | 9 1/4"          | 21 3/4" | 21 3/4" | 68 lb                   | 1/2"          | 7/8" | 50   | 300     | 1/2" BSPF     |
| <b>ENML-N-325</b> | 7"              | 18 3/4" | 18 3/4" | 53 lb                   | 3/8"          | 5/8" | 25   | 3000    | 3/8" BSPF     |
| <b>ENML-N-350</b> | 9 1/4"          | 21 3/4" | 21 3/4" | 68 lb                   | 3/8"          | 5/8" | 50   | 3000    | 3/8" BSPF     |
| <b>ENML-N-425</b> | 7"              | 18 3/4" | 18 3/4" | 53 lb                   | 1/2"          | 3/4" | 25   | 2500    | 1/2" BSPF     |
| <b>ENML-N-450</b> | 9 1/4"          | 21 3/4" | 21 3/4" | 68 lb                   | 1/2"          | 3/4" | 50   | 2500    | 1/2" BSPF     |
| <b>ENHL-N-125</b> | 7"              | 18 3/4" | 18 3/4" | 53 lb                   | 1/4"          | 1/2" | 25   | 5000    | 1/4" BSPF     |
| <b>ENHL-N-150</b> | 9 1/4"          | 21 3/4" | 21 3/4" | 68 lb                   | 1/4"          | 1/2" | 50   | 5000    | 1/4" BSPF     |
| <b>ENHL-N-325</b> | 7"              | 18 3/4" | 18 3/4" | 53 lb                   | 3/8"          | 3/4" | 25   | 4000    | 3/8" BSPF     |
| <b>ENHL-N-350</b> | 9 1/4"          | 21 3/4" | 21 3/4" | 68 lb                   | 3/8"          | 3/4" | 50   | 4000    | 3/8" BSPF     |

## DM/CM Series Portable Hose Reels Air-Water-Pressure Wash (max 3000 psi)

Dolly and Caddy Reels save effort and eliminate fatigue associated with manual hose coiling. Save time and increase your productivity by getting the hose to the job site more efficiently. Hand crank hose reels do away with the frustration and create a safer working environment while conveniently storing hose until you need it.

### DOLLY REEL FEATURES

- All steel construction
- Heavy duty 1-1¼" round tube frame structure
- Removable handle for compact storage and shipping
- Solid 8" rubber tyres
- Rubber front feet – prevents reel from slipping forward when pulling out hose
- Adjustable drag brake – prevents hose backlash when unreeling

Hose supplied at an extra cost.



| Part Number         | Reel Dimensions |      |      | Approx Weight less Hose | Hose Capacity |      |      | Max PSI | Swivel In/Out |
|---------------------|-----------------|------|------|-------------------------|---------------|------|------|---------|---------------|
|                     | Wide            | High | Deep |                         | I.D.          | O.D. | Feet |         |               |
| <b>117L-3-200DM</b> | 20 3/8"         | 40"  | 19"  | 37 lb                   | 3/8"          | 3/4" | 200  | 3000    | 3/8" BSPF     |
| <b>117L-4-225DM</b> | 24 7/8"         | 40"  | 19"  | 39 lb                   | 1/2"          | 7/8" | 225  | 3000    | 1/2" BSPF     |

### CADDY REEL FEATURES

- Full flow 90° swivel inlet
- All steel construction
- Heavy duty 1" round tube frame structure
- Rigid 1" diameter round handle for carrying to work site
- Adjustable drag brake – prevents hose backlash when unreeling
- Reels have larger mounting base – for permanent installations
- Hose control bar – prevents hose from slipping off side discs when pulling from an angle

Hose supplied at an extra cost.



| Part Number         | Reel Dimensions |         |         | Approx Weight less Hose | Hose Capacity |      |      | Max PSI | Swivel In/Out |
|---------------------|-----------------|---------|---------|-------------------------|---------------|------|------|---------|---------------|
|                     | Wide            | High    | Deep    |                         | I.D.          | O.D. | Feet |         |               |
| <b>112L-3-100CM</b> | 12"             | 13 3/4" | 13"     | 22 lb                   | 3/8"          | 3/4" | 100  | 3000    | 3/8" BSPF     |
| <b>112L-3-150CM</b> | 16 1/2"         | 13 3/4" | 13"     | 25 lb                   | 3/8"          | 3/4" | 150  | 3000    | 3/8" BSPF     |
| <b>112L-3-225CM</b> | 16 1/2"         | 19"     | 17 3/4" | 30 lb                   | 1/2"          | 7/8" | 225  | 3000    | 1/2" BSPF     |

## SD Static Discharge Spring Rewind Cable Reels



Pirtek SD reels provide convenient storage of static grounding cable with fast payout and automatic spring rewind. Designed for safe and reliable grounding of vehicles, aircraft and other equipment requiring static bonding these heavy duty reels are supplied complete with 50 or 100 feet of orange vinyl covered galvanised steel cable. Finished in a durable coating of blue baked powder paint all models feature a multi-position rewind guide arm and latching of cable at any length.

“Y” Branches and models with stainless steel cable are also available as options

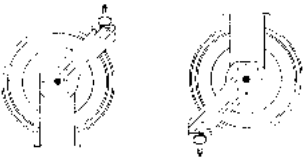
### FEATURES

- Heavy duty construction
- 3/16" galvanised steel cable with high-visibility orange vinyl cover
- Fully automatic spring rewind
- Non-sparking latching mechanism
- 50 amp grounding clamp
- Multi-position rewind guide arm
- 1" solid steel axle
- Durable blue powder coat finish
- Cartridge style spring motor
- Zinc plated current path
- Maximum resistance 2.0 ohm (SD-100)

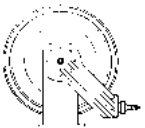
| Part Number   | Reel Dimensions |         |         | Approx Weight with Cable | Cable |       | Max Resistance |
|---------------|-----------------|---------|---------|--------------------------|-------|-------|----------------|
|               | Wide            | High    | Deep    |                          | Feet  | O.D.  |                |
| <b>SD-35</b>  | 4"              | 12"     | 11"     | 18 lb                    | 35    | 3/16" | 1.0 ohm        |
| <b>SD-50</b>  | 4"              | 12"     | 11"     | 20 lb                    | 50    | 3/16" | 1.0 ohm        |
| <b>SD-75</b>  | 4"              | 15"     | 14 1/2" | 31 lb                    | 75    | 3/16" | 2.0 ohm        |
| <b>SD-100</b> | 4"              | 13 1/2" | 13"     | 32 lb                    | 100   | 3/16" | 2.0 ohm        |

### Series S/SH and MP/HP models

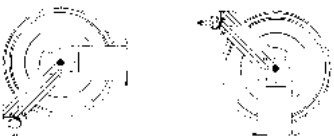
#### FLOOR/CEILING MOUNT "FM"



#### BOTTOM/TRUCK MOUNT "BM"

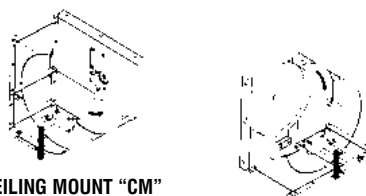


#### WALL/TRUCK MOUNT "WM"

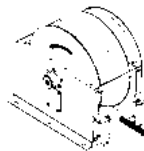


### Series SP models

#### WALL MOUNT "WM"



#### CEILING MOUNT "CM"



#### TRUCK/FLOOR MOUNT "FM"

Arrows show direction of reel rotation and direction in which hose unwinds from reel.

For ceiling and wall mounts Bracket Assembly 20458 must be fitted. Call for details.

### WARRANTY POLICY

All hose reel products supplied by Pirtek are warranted from 1 to 5 years depending on manufacturer. If within the warranty period any such product is proved, to the satisfaction of Pirtek, to be defective the product shall be repaired or replaced at the discretion of Pirtek without charge. No responsibility is assumed for improper choice of models or where products are used in excess of their rated capacities and design functions. All hose supplied by Pirtek is sourced from reliable commercial sources and is recommended for use on the basis of data supplied by the manufacturer. Pirtek assumes no responsibility for any other application or use. Hose supplied by Pirtek carries the warranty as listed by the manufacturer. A flexible connection must be used between the hose reel and supply. Use of a solid connection will void the swivel warranty.

### IMPORTANT!

When ordering, be sure to add the code for the desired hose guide position to the reel model number, ie SHL-N-450 WM. Unless otherwise specified, reels will be shipped with hose guides in the FM floor mount position.

Spring motors must be matched to the application in order for the hose to payout properly and retract automatically. When ordering please specify the following: 1) How the reel will be installed including height from the floor, 2) If a bare reel, the specification of the hose to be fitted, 3) Weight of any tool to be fitted to the hose, 4) Product to be transferred through the reel/hose.

## EZ-COIL SAFETY SERIES Featuring the EZ-Coil Rewind Safety System

The EZ-Coil™ Rewind Safety System is a patent pending rotary-dampening system exclusively researched and designed by the Engineering Department at Coxreels. The EZ-Coil™ Rewind Safety System controls and eliminates the high-speed recoil motion associated with conventional spring driven hose reels with no increase in the amount of resistance when pulling out the hose. Years of research and design went in to producing, what is to become the industry standard in spring driven hose reel safety and technology.

**All reels supplied without hose.**

### SAFETY BENEFITS

The slower controlled rewind action greatly increases operator safety, as well as the safety of the people and property in the surrounding area, by eliminating the high speed whipping action that results from a conventional spring driven hose reel. It is the most affordable and cost-effective solution to eliminating the danger of personal injury and destruction of property caused by careless operation of spring driven hose reels in the workplace.

### EZ-COIL™ Performance Evaluation Chart

|  | "REWIND SPEED"<br>ft./sec. | "WHIPPING RADIUS"<br>ft. | "IMPACT"<br>ft./lbs. |
|--|----------------------------|--------------------------|----------------------|
| Conventional Spring Driven Hose Reel                   | 25                         | 5 - 15                   | 500                  |
| Coxreels' "SAFETY SERIES" Hose Reel Featuring EZ-Coil™ | 5                          | 0                        | 0 - 1                |

### SAFETY SERIES FEATURES

- Equipped with the EZ-Coil™ Rewind Safety System
- No electricity required
- Pull-out tension remains unaffected
- Powder painted "Safety Yellow"
- Smooth Rolled Edges on the Drum
- Cartridge-style spring motor affords "safe replacement"

### COXREELS STANDARD FEATURES

- Heavy Duty Construction, Made in the USA
- Available in low, medium & high pressure
- Heavy duty 1/4" plate steel support post and mounting plate
- 1" oil-lite self-lubricating bearing
- Solid 1" steel centre support shaft
- Full flow swivel joint
- Adjustable arm guide wall, floor, ceiling and pit mountable
- Eight position locking ratchet
- 4 roller non-sag hose guide (6 on EZ-T Series)
- Reel supported on both sides by pedestal style base and arm guides (EZ-T Series only)
- **Triple support points to the centre shaft (EZ-T Series only)**

| Model Reference      | Reel Dimensions |         |         | Hose Capacity |        | Max PSI | Max Bar | Swivel In/Out |
|----------------------|-----------------|---------|---------|---------------|--------|---------|---------|---------------|
|                      | Wide            | High    | Deep    | I.D.          | O.D.   |         |         |               |
| <b>EZ-P-LPL-325</b>  | 6 1/4"          | 14 1/2" | 13 1/4" | 3/8"          | 5/8"   | 25/8m   | 300     | 20 3/8" BSPF  |
| <b>EZ-P-LPL-350</b>  | 6 1/8"          | 18 1/4" | 13 1/4" | 3/8"          | 5/8"   | 50/15m  | 300     | 20 3/8" BSPF  |
| <b>EZ-P-MPL-425</b>  | 7"              | 18 1/4" | 17 1/4" | 1/2"          | 3/4"   | 25/8m   | 3000    | 200 1/2" BSPF |
| <b>EZ-SHL-N-450</b>  | 9 1/4"          | 21"     | 19 5/8" | 1/2"          | 3/4"   | 50/15m  | 300     | 20 1/2" BSPF  |
| <b>EZ-SHL-N-525</b>  | 9 3/4"          | 21"     | 19 5/8" | 3/4"          | 1 1/8" | 25/8m   | 300     | 20 3/4" BSPF  |
| <b>EZ-MPL-N-450</b>  | 9 1/4"          | 21"     | 19 5/8" | 1/2"          | 3/4"   | 50/15m  | 3000    | 200 1/2" BSPF |
| <b>EZ-SHL-N-375</b>  | 9 1/4"          | 25 1/2" | 23      | 3/8"          | 5/8"   | 75/23m  | 300     | 20 3/8" BSPF  |
| <b>EZ-SHL-N-3100</b> | 9 1/4"          | 25 1/2" | 23      | 3/8"          | 5/8"   | 100/30m | 300     | 20 3/8" BSPF  |
| <b>EZ-SHL-N-475</b>  | 9 1/4"          | 25 1/2" | 23      | 1/2"          | 3/4"   | 75/23m  | 300     | 20 1/2" BSPF  |
| <b>EZ-SHL-N-4100</b> | 9 1/4"          | 25 1/2" | 23      | 1/2"          | 3/4"   | 100/30m | 300     | 20 1/2" BSPF  |
| <b>EZ-SHL-N-550</b>  | 9 3/4"          | 25 1/2" | 23      | 3/4"          | 1 1/8" | 50/15m  | 300     | 20 1/2" BSPF  |



### Performance Safety Reel - EZ-P Series

#### Low Pressure Coxreels

The standard hose is for air or water service only. The basic reel without hose can be used for air, water or oil. Maximum temperature 150° F.

#### Medium Pressure Coxreels

Suitable for air, water or oil applications. Maximum temperature 250° F. Maximum pressure 3000 psi



### Heavy Duty Safety Reel - EZ-SH, MP & HP Series

#### Low Pressure Coxreels

Can be used for multiple applications such as compressed air, water, oil, diesel, breathing air etc. Supplied as standard without hose, and covering pressures up to 300psi (20 bar) and temperatures up to 250° F.

#### Medium Pressure Coxreels

Can be used for multiple applications such as oil jetting, air and water. Working pressures up to 3000psi (200 bar) and temperatures up to 150°F.



### Heavy Duty Large Capacity Safety Reel - EZ-T Series

#### Low Pressure Coxreels

The standard hose is for air or water service only. The basic reel without hose can be used for air, water or oil. Maximum temperature 150°F.

**EZ-COIL SAFETY SERIES** Featuring the EZ-Coil Rewind Safety System



8

**E-Zy - 880 series**

| Part Number       | Inlet / Outlet | Max Pressure<br>psi/bar | Bore Size | Hose Length<br>Ft / m | Dimensions      | Weight<br>kgs |
|-------------------|----------------|-------------------------|-----------|-----------------------|-----------------|---------------|
| <b>C880-4100L</b> | 1/2" x 1/2"    | 300 / 20                | 1/2"      | 100 / 30              | 69H x 27W x 62D | 56            |
| <b>C880-550L</b>  | 3/4" x 3/4"    | 300 / 20                | 3/4"      | 65 / 20               | 69H x 27W x 62D | 58            |
| <b>C880-650L</b>  | 1" x 1"        | 300 / 20                | 1"        | 50 / 15               | 69H x 27W x 62D | 60            |

**C701 & C705 Series**

| Part Number     | Temperature<br>Deg C | Max Pressure<br>psi/bar | Bore Size | Hose Length<br>Ft / m | Dimensions      | Weight<br>kgs |
|-----------------|----------------------|-------------------------|-----------|-----------------------|-----------------|---------------|
| <b>C705-100</b> | 60°                  | 180 / 12                | 1/4"      | 33' / 10              | 31H x 16W x 34D | 5.7           |
| <b>C705-200</b> | 60°                  | 180 / 12                | 3/16"     | 25' / 8               | 31H x 16W x 34D | 5.7           |
| <b>C701-100</b> | 60°                  | 300 / 20                | 3/8"      | 50' / 15              | 40H x 22W x 44D | 12.5          |
| <b>C701-200</b> | 60°                  | 300 / 20                | 1/2"      | 50' / 15              | 40H x 22W x 44D | 12.5          |

**C605 Cable Reels - (Optional LED light)**

| Part Number     | Cable Length<br>Ft / m | Number of<br>Cores | Voltage | Amps<br>In / Out | Reel<br>Colour | Additional<br>Lead Light | Dimensions      | Weight<br>kgs |
|-----------------|------------------------|--------------------|---------|------------------|----------------|--------------------------|-----------------|---------------|
| <b>C605-100</b> | 50' / 15               | 3 x 1.5mm          | 240v    | 3 / 10           | Blue           | NO                       | 28H x 16W x 33D | 5.2           |
| <b>C605L3/2</b> | 50' / 15               | 3 x 1.5mm          | 240v    | 3 / 10           | Blue           | + 60 L.E.D's             | 28H x 16W x 33D | 5.6           |

## Accessories for Pirtek Hose Reels



### Swivel Assemblies

Pirtek 90° Swivel Assemblies are available in the following sizes:

| Part Number      | In/Out      | Max Pressure (psi) |
|------------------|-------------|--------------------|
| <b>T1969-BSP</b> | 1/4" x 1/4" | 3000 psi           |
| <b>T499-BSP</b>  | 1/4" x 1/4" | 3000 psi           |
| <b>T433-BSP</b>  | 3/8" x 3/8" | 3000 psi           |
| <b>T521-BSP</b>  | 3/8" x 3/8" | 4000 psi           |
| <b>T434-BSP</b>  | 1/2" x 1/2" | 3000 psi           |
| <b>T426-BSP</b>  | 3/4" x 3/4" | 3000 psi           |
| <b>T7231-NPT</b> | 1" x 1"     | 300 psi            |
| <b>T15257-1</b>  | 1" x 1"     | 1000 psi           |

Stainless Steel swivels also available, Please ask our Technical sales staff for details.

### Mounting Brackets



T15720 Mounting bracket, allows the reel unit to swivel through 180°. Constructed in Heavy gauge powder coated steel. P' & SH Series only.



T15720-SS Mounting bracket again allows the reel units swivel through 180°. Constructed in 304 grade stainless steel. P', SH & Truck series reels only.



TMR1 "I" or "H" Beam Mounting Bracket for Heavy Duty Reels. Fits 3" to 8 1/2" flange on "I" or "H" beams. Specify reel model at time of ordering.

### Roller Guides

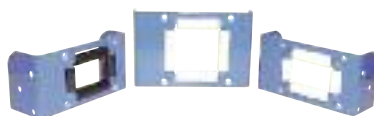


T4RB Face mounted roller guide, for use with hose up to 3/4" (19mm) internal bore. Ideal for use through panels. Also available with solid Rollers (T4SR)

T1728-1 Right angled roller guide, for use with hose up to 3/4" (19mm) internal bore. These guides are ideal for payout along walls. Also available with solid rollers, and in stainless steel. (T1728 & T1728-1-SS).



T15217 Large four way roller assembly for use on cabinet/door openings, or similar locations where sharp edges may cut or damage the hose being handled. Supplied as standard on SP, DP series reels. Hoses up to 1 1/2" Internal bore.



T1829-1 Truck series roller guide for use with hose up to 1" internal bore. Right angles edges allow both ends to be fixed. Also available with solid rollers and in stainless steel (T1829-1-SS & T1828-1).

T7527 These roller guides have two rollers horizontally and two vertically. This enables large bore hoses up to 1 1/4" bore to be handled easily. Supplied as standard on SHL-N-635.

### Connecting Hoses

Connecting hoses for all applications are available.



| CONNECTING HOSES FOR PIRTEK HOSE REELS |            |         |              |
|--|------------|---------|--------------|
| Part Number                            | FT x I.D.. | Max PSI | End Fittings |
| <b>TGC5A</b>                           | 3' X 1/4"  | 300     | 1/4" BSPMT   |
| <b>TGC5B</b>                           | 3' X 1/4"  | 5000    | 1/4" BSPMT   |
| <b>TGC6A</b>                           | 3' X 3/8"  | 300     | 3/8" BSPMT   |
| <b>TGC6B</b>                           | 3' X 3/8"  | 3000    | 3/8" BSPMT   |
| <b>TGC7A</b>                           | 3' X 1/2"  | 300     | 1/2" BSPMT   |
| <b>TGC7B</b>                           | 3' X 1/2"  | 3000    | 1/2" BSPMT   |
| <b>TGC8A</b>                           | 3' X 3/4"  | 300     | 3/4" BSPMT   |
| <b>TGC8B</b>                           | 3' X 3/4"  | 1000    | 3/4" BSPMT   |
| <b>TGC9A</b>                           | 3' X 1"    | 230     | 1" BSPMT     |
| <b>TGC9B</b>                           | 3' X 1"    | 1000    | 1" BSPMT     |



### Swivel Assemblies

Pirtek Hose Stoppers are available in the following sizes:

| Part Number   | Hose I.D.   | Hose O.D. |
|---------------|-------------|-----------|
| <b>T131</b>   | 1/4" x 3/8" | 5/8"      |
| <b>T254</b>   | 1/2"        | 7/8"      |
| <b>T430</b>   | 3/4"        | 1 1/8"    |
| <b>T20214</b> | 1"          | 1 1/2"    |
| <b>T20215</b> | 1 1/4"      | 1 3/4"    |
| <b>T20216</b> | 1 1/2"      | 2"        |



### Additional/Optional Brackets for Retractable Reels

As standard, all Retractable hose reels are supplied with the BU100 bracket suitable for wall mounting up to 6' (1.80m), and overhead mount up to 15' (4.60m). These are available separately to allow the reel to be moved from point to point. The BB100 bracket should be specified at the time of ordering for wall mount from 6' to 15' and bench /floor mount.

## Tecreel (375, Type 4, 4 Port, Multi Function, 2 and 4 Port Swivel range)



The Pirtek range of self retracting hose reels provides an efficient means of conveying hydraulic power from fixed to moving points on forklift trucks, cranes and other materials handling equipment. An integral coil spring ensures that the hoses remain constantly under tension.

Four models are available, each complemented by a choice of two or four port swivels providing 180° of free hose movement.

All models can be supplied in various flange diameters, hose bore and pull off lengths.

### FEATURES

- Pressure range from 170 - 300 bar
- Slim, compact design
- Easy installation
- Low pressure loss
- Long life return spring and seals

### 375 Range

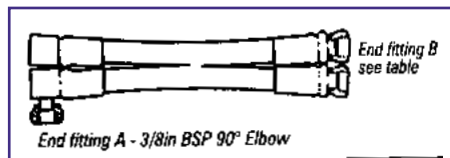


### Performance Data

| Flow Rate per minute  | Pressure Drop                               |  |
|-----------------------|---|--|
|                       | With twin 4.5m (15 ft) hoses, 3/16" in bore | With twin 5m (16 ft) hoses, 3/8" in bore |
| 22.7 Litres (5 Gall)  | 17 Bar (246 psi)                            | 8 Bar (116 psi)                          |
| 45.5 Litres (10 Gall) | 36 Bar (522 psi)                            | 19 Bar (275 psi)                         |

The above figures are based on ESSO NUTO H32 @ 25-28°C viscosity 55/63 cSt.

### Tecreel 375 Hose Assembly



### Optional Extras

| Part Number      | Threads              |
|------------------|----------------------|
| <b>G04R06</b>    | 3/8" BSP x 1/4" BSP  |
| <b>G06R06</b>    | 3/8" BSP x 3/8" BSP  |
| <b>34873-609</b> | 3/8" BSP x M16 x 1.5 |
| <b>34873-211</b> | 3/8" BSP x 3/16" JIC |

### Seal Kit

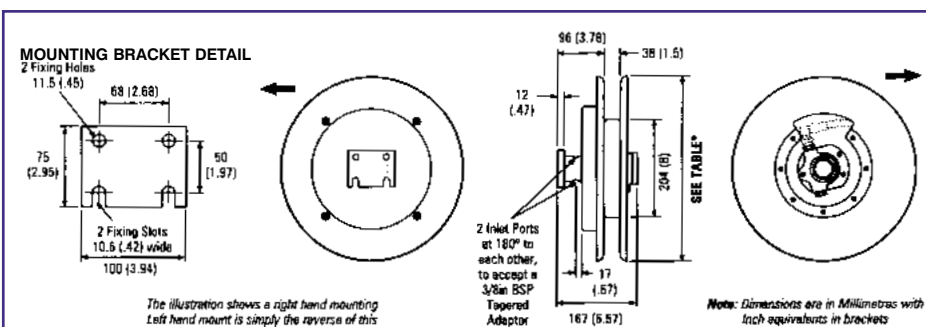
| Part Number  | Threads                          |
|--------------|----------------------------------|
| <b>51892</b> | 375 Tecreel Replacement Seal Kit |

| Part Number  | Hose Length | Hose Bore | End Fitting B |
|--|-------------|-----------|---------------|
| <i>(TL - Left Hand Mounting, TR - Right Hand Mounting)</i> |             |           |               |
| <b>TL/R 31800 - Flange Dia. is 318mm (12.5in)*</b>         |             |           |               |
| <b>TL/TR 31800/401</b>                                     | 4100 mm     | 1/4"      | 1/4" BSP      |
| <b>TL/TR 31800/407</b>                                     | 4100 mm     | 1/4"      | M16 x 1.5     |
| <b>TL/TR 31800/501</b>                                     | 3500 mm     | 5/16"     | 3/8" BSP      |
| <b>TL/TR 31800/502</b>                                     | 3500mm      | 5/16"     | 3/8" JIC      |
| <b>TL/TR 31800/508</b>                                     | 3500 mm     | 5/16"     | M16 x 1.5     |
| <b>TL/TR 31800/601</b>                                     | 2700 mm     | 3/8"      | 3/8" BSP      |
| <b>TL/TR 31800/606</b>                                     | 2700 mm     | 3/8"      | M16 x 1.5     |
| <b>TL/TR 38000 - Flange dia. is 380mm (15in)*</b>          |             |           |               |
| <b>TL/TR 38000/404</b>                                     | 6500 mm     | 1/4"      | 1/4" BSP      |
| <b>TL/TR 38000/408</b>                                     | 6500 mm     | 1/4"      | M16 x 1.5     |
| <b>TL/TR 38000/504</b>                                     | 5600 mm     | 5/16"     | 3/8" BSP      |
| <b>TL/TR 38000/506</b>                                     | 5600 mm     | 5/16"     | 3/8" JIC      |
| <b>TL/TR 38000/509</b>                                     | 5600 mm     | 5/16"     | M16 x 1.5     |
| <b>TL/TR 38000/603</b>                                     | 4900 mm     | 3/8"      | 3/8" BSP      |
| <b>TL/TR 38000/607</b>                                     | 4900 mm     | 3/8"      | M16 x 1.5     |
| <b>TL/TR 45700 - Flange dia. is 457mm (18in)*</b>          |             |           |               |
| <b>TL/TR 45700/308</b>                                     | 11 m        | 1/4"      | 1/4" BSP      |
| <b>TL/TR 45700/311</b>                                     | 11 m        | 1/4"      | M16 x 1.5     |
| <b>TL/TR 45700/511</b>                                     | 9300 mm     | 5/16"     | 3/8" BSP      |
| <b>TL/TR 45700/507</b>                                     | 9300 mm     | 5/16"     | 3/8" JIC      |
| <b>TL/TR 45700/510</b>                                     | 9300 mm     | 5/16"     | M16 x 1.5     |
| <b>TL/TR 45700/604</b>                                     | 7300 mm     | 3/8"      | 3/8" BSP      |
| <b>TL/TR 45700/608</b>                                     | 7300 mm     | 3/8"      | M16 x 1.5     |
| <b>TL/TR38004 - Flange dia. is 380mm (15in)*</b>           |             |           |               |
| <b>TL/TR 38004/312</b>                                     | 3900 mm     | 1/2"      | 3/8" BSP      |
| <b>TL/TR 38004/306</b>                                     | 3900 mm     | 1/2"      | 1/2" BSP      |
| <b>TL/TR45704 - Flange dia. is 457mm (18in)*</b>           |             |           |               |
| <b>TL/TR 45704/313</b>                                     | 6200 mm     | 1/2"      | 3/8" BSP      |
| <b>TL/TR 45704/307</b>                                     | 6200 mm     | 1/2"      | 1/2" BSP      |

8

### FEATURES

- Maximum operating pressure 300 bar (4350 psi)
- Large ports provide efficient flow characteristics
- Accepts Siamese 1/4", 5/16", 3/8" or 1/2" bore thermoplastic hoses
- Cassette loaded coil spring for safety and easy removal
- Left or right hand mounting, easily changeable on site



## Tecreels (375, Type 4, 4 Port, Multi Function, 2 and 4 Port Swivel Range)

### 4 Range

#### FEATURES

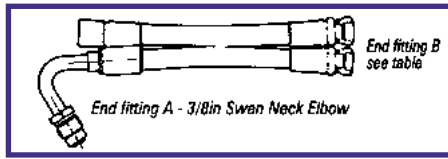
- Maximum operating pressure 170 bar (2500 psi)
- Improved fluid flow
- Accepts Siamese 1/4", 5/16", bore thermoplastic hoses
- Easy maintenance
- A low cost competitively priced reel

### Performance Data

| Flow Rate per minute  | Pressure Drop with twin 5.6 m (18 ft) hoses, 5/16" in bore |
|-----------------------|--|
| 22.7 Litres (5 Gall)  | 28.5 Bar (413 psi)   |
| 45.5 Litres (10 Gall) | 62 Bar (899 psi)   |

The above figures are based on ESSO NUTO H32 @ 25-28°C viscosity 55/63 cSt.

### Tecreel 4 Hose Assembly



### Optional Extras

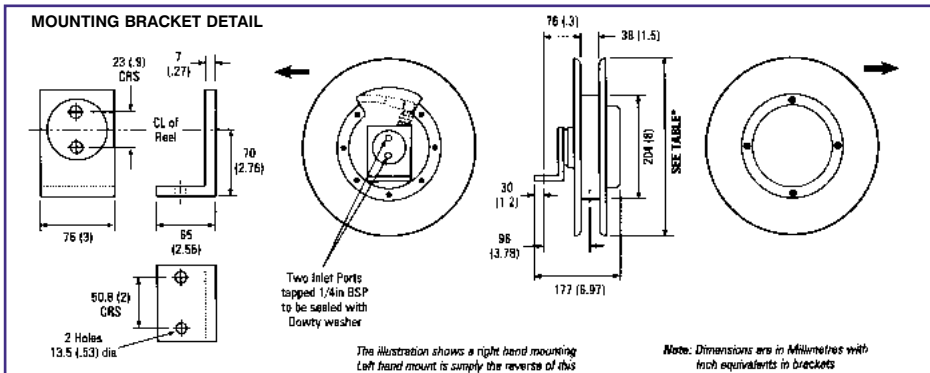
| Part Number      | Threads              |
|------------------|----------------------|
| <b>105340</b>    | 1/4" BSP x 1/4" BSP  |
| <b>106819</b>    | 1/4" BSP x 5/16" BSP |
| <b>34865-225</b> | 1/4" BSP x M16 x 1.5 |

### Seal Kit

| Part Number  | Threads                        |
|--------------|--------------------------------|
| <b>51892</b> | 4 Tecreel Replacement Seal Kit |



| Part Number  | Hose Length | Hose Bore | End Fitting B |
|--|-------------|-----------|---------------|
| <b>(4L - Left Hand Mounting, 4R - Right Hand Mounting)</b> |             |           |               |
| <b>4L/4R 31800 - Flange Dia. is 318mm (12.5in)*</b>        |             |           |               |
| <b>4L/4R 31800/401</b>                                     | 4100 mm     | 1/4"      | 1/4" BSP      |
| <b>4L/4R 31800/402</b>                                     | 4100 mm     | 1/4"      | M16 x 1.5     |
| <b>4L/4R 31800/501</b>                                     | 3500 mm     | 5/16"     | 3/8" BSP      |
| <b>4L/4R 31800/502</b>                                     | 3500mm      | 5/16"     | 3/8" JIC      |
| <b>4L/4R 31800/503</b>                                     | 3500 mm     | 5/16"     | M16 x 1.5     |
| <b>4L/4R 38000 - Flange dia. is 380mm (15in)*</b>          |             |           |               |
| <b>4L/4R 38000/403</b>                                     | 6000 mm     | 1/4"      | M16 x 1.5     |
| <b>4L/4R 38000/404</b>                                     | 6000 mm     | 1/4"      | 1/4" BSP      |
| <b>4L/4R 38000/504</b>                                     | 5600 mm     | 5/16"     | 3/8" BSP      |
| <b>4L/4R 38000/505</b>                                     | 5600 mm     | 5/16"     | 3/8" JIC      |
| <b>4L/4R 38000/506</b>                                     | 5600 mm     | 5/16"     | M16 x 1.5     |



### 4 Port Range



### Performance Data

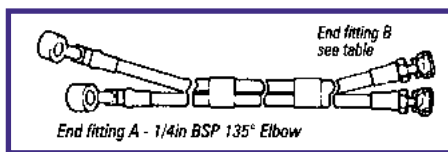
| Flow Rate per minute  | Pressure Drop with twin 5 m (16 ft) hoses, 3/8" in bore |
|-----------------------|---|
| 22.7 Litres (5 Gall)  | 11 Bar (159 psi)  |
| 45.5 Litres (10 Gall) | 25 Bar (362 psi)  |

The above figures are based on ESSO NUTO H32 @ 25-28°C viscosity 55/63 cSt.

#### FEATURES

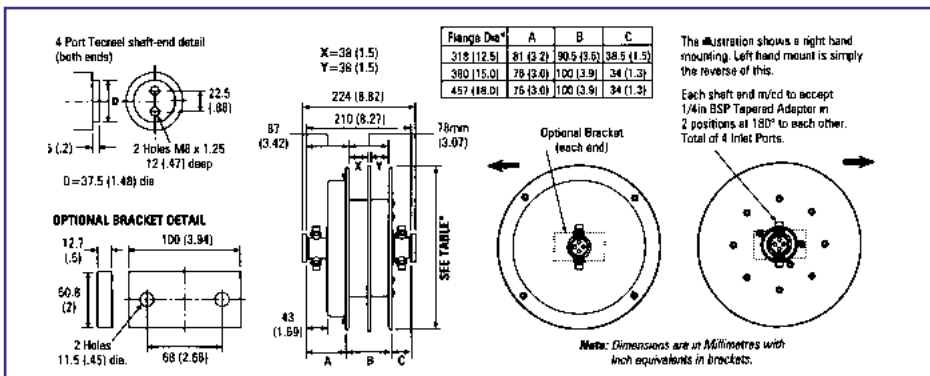
- Maximum operating pressure 210 bar (3000 psi)
- Accommodates 4 separate hydraulic circuits in 1 reel
- Accepts Siamese high pressure thermoplastic hoses, staggered at the reel end to accept 1/4" BSP port fixings
- Central dividing plate prevents cross winding
- Only 210 mm wide and available with optional rectangular mounting bracket

### Tecreel 4 Port Hose Assembly



### Optional Extras

| Part Number   | Threads             |
|---------------|---------------------|
| <b>G04R04</b> | 1/4" BSP x 1/4" BSP |
| <b>G06R04</b> | 1/4" BSP x 3/8" BSP |



### Seal Kit

| Part No      | Threads                             |
|--------------|-------------------------------------|
| <b>51815</b> | 4 Port Tecreel Replacement Seal Kit |

| Part No  | Hose Length | Hose Bore | End Fitting B |
|--|-------------|-----------|---------------|
| <b>(SL - Left Hand Mounting, SR - Right Hand Mounting)</b> |             |           |               |
| <b>SL/SR 31800 - Flange Dia. is 318mm (12.5in)*</b>        |             |           |               |
| <b>SL/SR 31800/402</b>                                     | 4420 mm     | 1/4"      | 1/4" BSP      |
| <b>SL/SR 31800/403</b>                                     | 4420 mm     | 1/4"      | M16 x 1.5     |
| <b>SL/SR 31800/508</b>                                     | 3810 mm     | 5/16"     | 3/8" BSP      |
| <b>SL/SR 31800/503</b>                                     | 3810mm      | 5/16"     | 3/8" JIC      |
| <b>SL/SR 31800/503</b>                                     | 3810 mm     | 5/16"     | M16 x 1.5     |
| <b>SL/SR 31800/603</b>                                     | 3050 mm     | 3/8"      | 3/8" BSP      |
| <b>SL/SR 31800/606</b>                                     | 3050 mm     | 3/8"      | M16 x 1.5     |
| <b>SL/SR 38000 - Flange dia. is 380mm (15in)*</b>          |             |           |               |
| <b>SL/SR 38000/401</b>                                     | 6710 mm     | 1/4"      | 1/4" BSP      |
| <b>SL/SR 38000/404</b>                                     | 6710 mm     | 1/4"      | M16 x 1.5     |
| <b>SL/SR 38000/509</b>                                     | 5940 mm     | 5/16"     | 3/8" BSP      |
| <b>SL/SR 38000/502</b>                                     | 5940 mm     | 5/16"     | 3/8" JIC      |
| <b>SL/SR 38000/506</b>                                     | 5940 mm     | 5/16"     | M16 x 1.5     |
| <b>SL/SR 38000/602</b>                                     | 5180 mm     | 3/8"      | 3/8" BSP      |
| <b>SL/SR 38000/607</b>                                     | 5180 mm     | 3/8"      | M16 x 1.5     |
| <b>SL/SR 45700 - Flange dia. is 457mm (18in)*</b>          |             |           |               |
| <b>SL/SR 45700/301</b>                                     | 10520 mm    | 1/4"      | 1/4" BSP      |
| <b>SL/SR 45700/302</b>                                     | 10520 mm    | 1/4"      | M16 x 1.5     |
| <b>SL/SR 45700/504</b>                                     | 9450 mm     | 5/16"     | 3/8" BSP      |
| <b>SL/SR 45700/501</b>                                     | 9450 mm     | 5/16"     | 3/8" JIC      |
| <b>SL/SR 45700/507</b>                                     | 9450 mm     | 5/16"     | M16 x 1.5     |
| <b>SL/SR 45700/601</b>                                     | 7620 mm     | 3/8"      | 3/8" BSP      |
| <b>SL/SR 45700/608</b>                                     | 7620 mm     | 3/8"      | M16 x 1.5     |

## Tecreels (375, Type 4, 4 Port, Multi Function, 2 and 4 Port Swivel range)



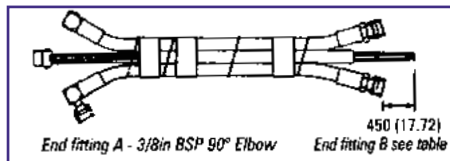
Multifunction

### Performance Data

| Flow Rate per minute  | Pressure Drop                               |  |
|-----------------------|---|--|
|                       | With twin 4.5m (15 ft) hoses, 5/16" in bore | With twin 5m (16 ft) hoses, 3/8" in bore |
| 22.7 Litres (5 Gall)  | 17 Bar (246 psi)                            | 8 Bar (116 psi)                          |
| 45.5 Litres (10 Gall) | 36 Bar (522 psi)                            | 19 Bar (275 psi)                         |

The above figures are based on ESSO NUTO H32 @ 25-28°C viscosity 55/63 cSt.

### Tecreel 4 Hose Assembly



#### FEATURES

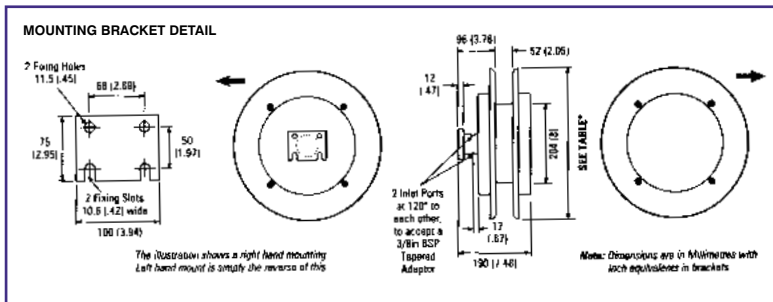
- Maximum operating pressure 300 bar (4350 psi)
- Maximum voltage 80V, maximum current 4.5A (6 wires)
- Purpose designed for use with multi function hydraulic attachments
- Transmits hydraulic power and electrical signals through a central cable conduit bonded between 2 high pressure thermoplastic hoses
- Space saving design allows easy installation and maintenance

### Optional Extras

| Part Number      | Threads              |
|------------------|----------------------|
| <b>G04R06</b>    | 3/8" BSP x 1/4" BSP  |
| <b>G06R06</b>    | 3/8" BSP x 3/8" BSP  |
| <b>34873-609</b> | 3/8" BSP x M16 x 1.5 |
| <b>34873-211</b> | 3/8" BSP x 9/16" JIC |

### Seal Kit

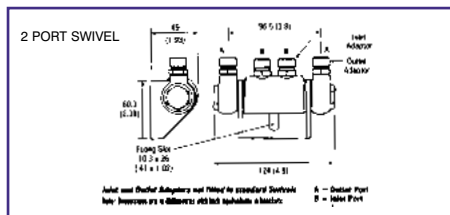
| Part Number  | Threads                                    |
|--------------|--|
| <b>51892</b> | Multifunction Tecreel Replacement Seal Kit |



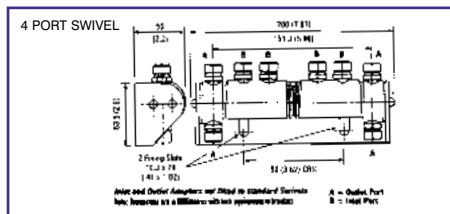
### Swivels

8

#### 2 Port Swivel



#### 4 Port Swivel



#### FEATURES

#### FEATURES

- Maximum operating pressure 300 bar (4350 psi)
- Suitable for use with Type 4, 375 and Multifunction Tecreels
- Gives full 180° free hose movement
- Available with or without check valves

### Performance Data

| Part Number             | Pressure Drop                                |   |
|-------------------------|--|---|
|                         | at 22.7 litres (5 gall) per minute flow rate | at 45.5 litres (10 gall) per minute flow rate |
| <b>OA50193</b>          | 2.8 Bar (40 psi)                             | 8.5 Bar (123 psi)                             |
| Swivel with check valve |  |   |
| <b>SWV-02</b>           | 2 Bar (29 psi)                               | 6.8 Bar (98 psi)                              |

The above figures are based on ESSO NUTO H32 @ 25-28°C viscosity 55/63 cSt.

### Seal Kit

| Part Number  | Threads                            |
|--------------|------------------------------------|
| <b>51601</b> | 2 Port Swivel Replacement Seal Kit |

#### Swivel Adaptors

Standard 2 Port and 4 Port swivels are supplied without inlet and outlet adaptors which should be ordered separately from this table.

| Part Number      | Thread               |
|------------------|----------------------|
| <b>34865-223</b> | 1/4" BSP             |
| <b>34866-625</b> | 3/8" BSP             |
| <b>34811-627</b> | 9/16" JIC            |
| <b>34832-206</b> | 3/4" JIC             |
| <b>34857-205</b> | M16 x 1.5 (24° Seat) |
| <b>34857-202</b> | M16 x 1.5 (60° Seat) |
| <b>34857-206</b> | M18 x 1.5 (24° Seat) |
| <b>34857-204</b> | M18 x 1.5 (60° Seat) |
| <b>25145-107</b> | "O" Ring             |

**Note:**  
The maximum tightening torque to effect sealing of swivel adaptors is 15 lb/ft.

### Performance Data

| Part Number   | Pressure Drop                                |   |
|---------------|--|---|
|               | at 22.7 litres (5 gall) per minute flow rate | at 45.5 litres (10 gall) per minute flow rate |
| <b>SWV-04</b> | 2.3 Bar (33 psi)                             | 9.5 Bar (138 psi)                             |

The above figures are based on ESSO NUTO H32 @ 25-28°C viscosity 55/63 cSt.

### Seal Kit

| Part Number  | Threads                            |
|--------------|------------------------------------|
| <b>51893</b> | 4 Port Swivel Replacement Seal Kit |